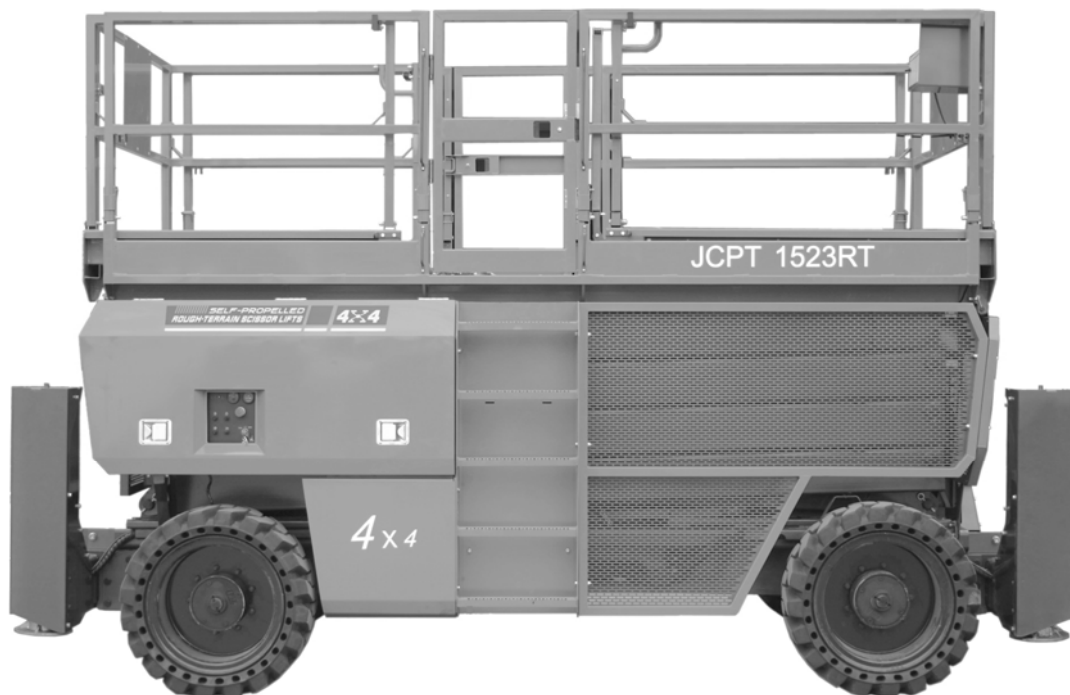


PARTS MANUAL

FOR OPERATION AND SAFETY

JCPT1223RT / JCPT1523RT / JCPT1823RT
SELF-PROPELLED ROUGH-TERRAIN SCISSOR LIFTS



WARNING

THE MANUFACTURER SHALL NOT BE HELD LIABLE IN CASE OF FAULTS OR ACCIDENTS DUE TO NEGLIGENCE, INCAPACITY, INSTALLATION BY UNQUALIFIED TECHNICIANS AND IMPROPER USE OF THE MACHINE

DO NOT OPERATE THIS MACHINE UNTIL YOU READ AND UNDERSTAND ALL THE DANGERS, WARNINGS AND CAUTIONS IN THIS MANUAL

Table of Contents

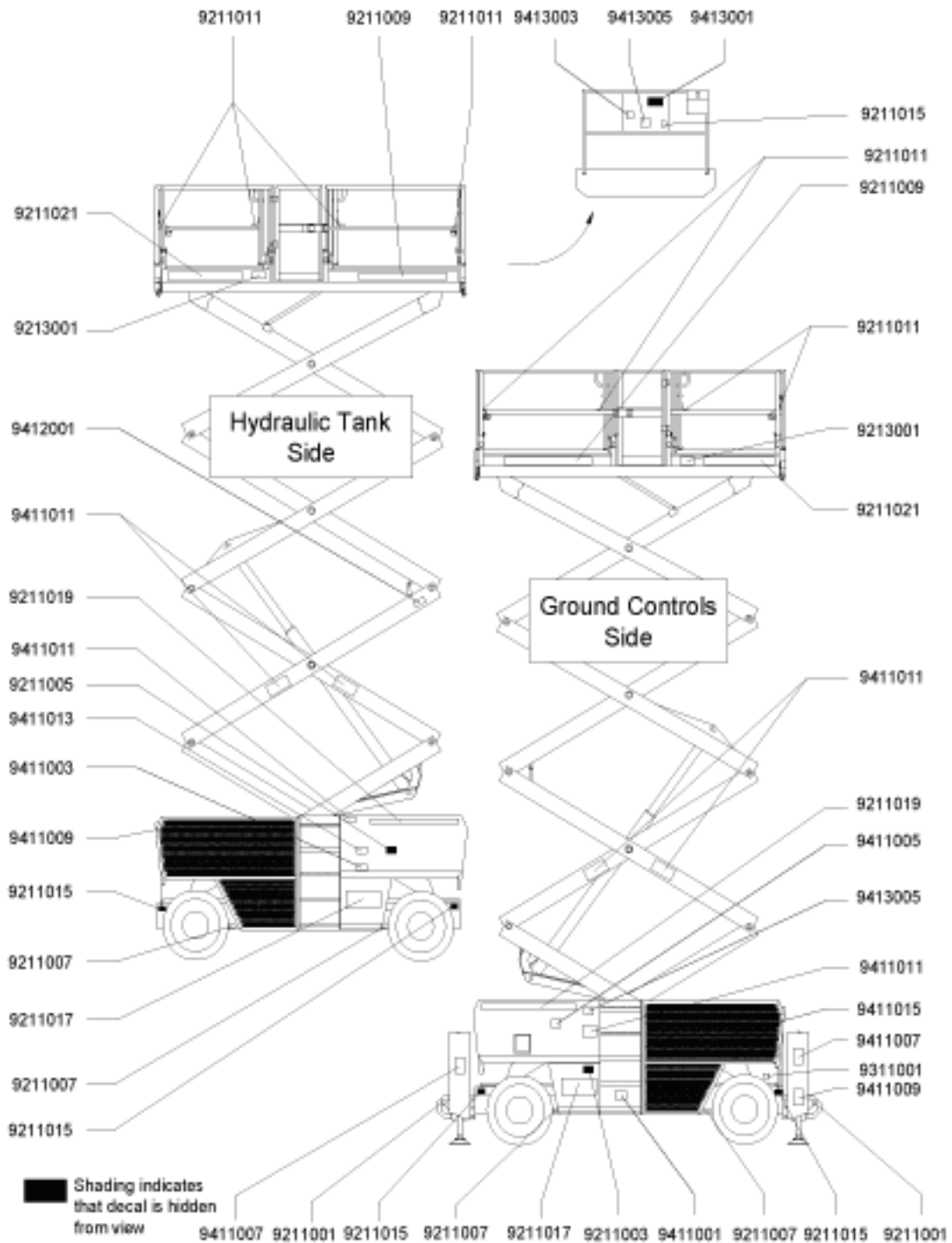
DECAL INSPECTION(JCPT1523RT).....	1	Lift Cylinder Assembly and Scissor Components(JCPT1823RT).....	54
DECAL INSPECTION(JCPT1823RT).....	3	Lift Cylinder Assembly(JCPT1523RT).....	56
Steer Axle Card Linkage.....	5	Lift Cylinder Assembly(JCPT1823RT).....	58
Steer Cylinder Assembly.....	7	Cable Bracket Assembly and Scissor Components(JCPT1523RT).....	60
Steer Axle, Wheels and Drive Hubs.....	9	Cable Bracket Assembly and Scissor Components(JCPT1823RT).....	62
Drive Hub Assembly.....	11	Scissor Components(JCPT1523RT).....	64
Non-Steer Axle, Wheels and Drive Hubs.....	14	Scissor Components(JCPT1823RT).....	66
Perkins 404D22 Engine.....	16	Safety Arm Components.....	68
Engine Tray Components.....	18	Platform Installation(JCPT1523RT).....	70
Engine Cover Components.....	20	Platform Installation(JCPT1823RT).....	72
Cable Track Components.....	22	Platform Rails and Entry Gates Installation.....	74
Drive Chassis Trays and Hydraulic Tank Tray Components.....	24	Front Platform Extension Deck.....	77
Hydraulic Tank and Manifolds Assembly Installation.....	26	Rear platform Extension Deck.....	80
Drive Manifold Assembly.....	28	Platform Floor Installation and Roller Installation.....	83
Drive Hydraulic Schematic.....	30	Platform Controls Installation.....	85
Function Manifold Assembly.....	31	Outrigger Components Installation.....	87
Function Hydraulic Schematic.....	33	Level Jack Cylinder Assembly.....	89
Hydraulic Tray Assembly.....	34	Outrigger Components.....	91
Drive Chassis Trays and Ground Controls Tray Components.....	36		
Fuel Tank and Ground Controls Assembly Installation.....	38		
Ground Controls(Fuel Tank) Side Tray Assembly.....	40		
Link Guard Assembly and Ladder Assembly.....	42		
Oil Cooler and Battery Tank Installation.....	44		
Arm Assembly I and Chassis Components (JCPT1523RT).....	46		
Arm Assembly I and Chassis Components (JCPT1823RT).....	49		
Lift Cylinder Assembly and Scissor Components(JCPT1523RT).....	52		



Enebakkveien 441 B
 1290 OSLO, Norway
 Tlf: 23 19 11 00
 Faks: 23 19 11 01
post@instant.no
<http://www.instant.no>

Manufacturer's address:
 Zhejiang Dingli Machinery Co., Ltd
 Address:No.1255 Baiyun South Road, Leidian Town, Deqing,
 Zhejiang China.

DECAL INSPECTION (JCPT1523RT)



DECAL INSPECTION (JCPT1523RT)

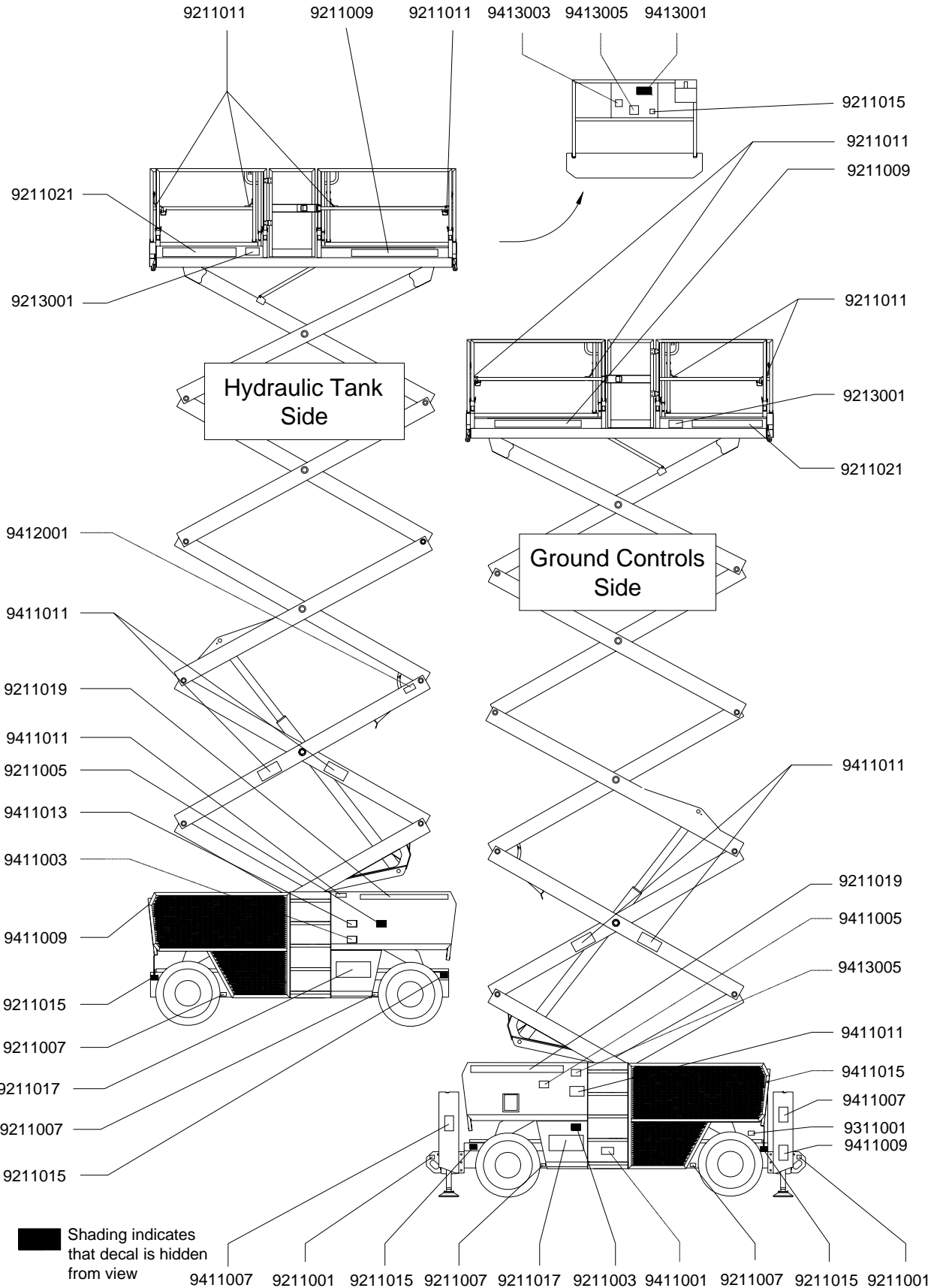
Decal Inspection

Use the pictures on the next page to verify that all decals are legible and in place

Below is a numerical list with quantities and descriptions.

Part No.	Description	QTY.
9211001	Label-Lifting Hanging Department	4
9211003	Label-Diesel	1
9211005	Label-Hydraulic Oil	1
9211007	Label-Wheel Maximum Load	4
9211009	Maximum Capacity 1500lbs/680kg	2
9211011	Label-Lanyard Anchorage	8
9211015	Label-Direction al Arrows	5
9211017	Cosmetic-4×4	2
9211019	Cosmetic-4×4 SELF-PROPELLED ROUGH-TERRAIN SCISSOR LIFTS	2
9211021	Cosmetic-JCPT1523RT	2
9213001	Notice- Maximum Side Force 90lbs/400N	2
9311001	Label- Inspection	1
9411001	Danger-Explosion/Burn Hazard	1
9411003	Danger-Crushing Hazard	1
9411005	Danger-Tip-over Hazard	1
9411007	Warning-Crushing Hazard	4
9411009	Warning-Crushing Hazard	1
9411011	Warning-Crushing Hazard	1
9411013	Warning-Injection Hazard	1
9411015	Caution-Restricting Access	1
9412001	Danger-Crushing/Burn Hazard	1

DECAL INSPECTION (JCPT1823RT)



DECAL INSPECTION (JCPT1823RT)

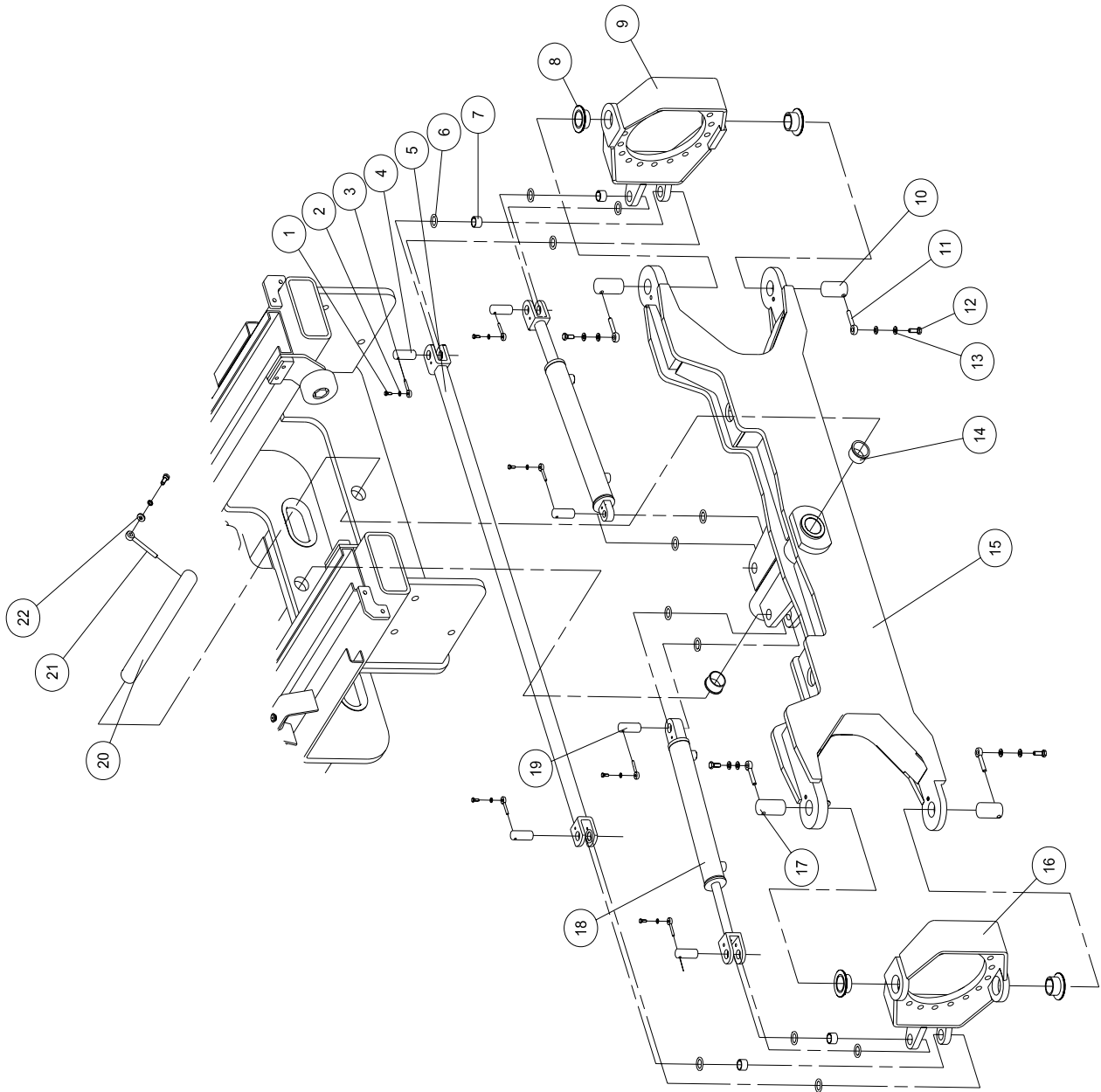
Decal Inspection

Use the pictures on the next page to verify that all decals are legible and in place

Below is a numerical list with quantities and descriptions.

Part No.	Description	QTY.
9211001	Label-Lifting Hanging Department	4
9211003	Label-Diesel	1
9211005	Label-Hydraulic Oil	1
9211007	Label-Wheel Maximum Load	4
9211009	Maximum Capacity 1500lbs/680kg	2
9211011	Label-Lanyard Anchorage	8
9211015	Label-Direction al Arrows	5
9211017	Cosmetic-4×4	2
9211019	Cosmetic-4×4 SELF-PROPELLED ROUGH-TERRAIN SCISSOR LIFTS	2
9211021	Cosmetic-JCPT1523RT	2
9213001	Notice- Maximum Side Force 90lbs/400N	2
9311001	Label- Inspection	1
9411001	Danger-Explosion/Burn Hazard	1
9411003	Danger-Crushing Hazard	1
9411005	Danger-Tip-over Hazard	1
9411007	Warning-Crushing Hazard	4
9411009	Warning-Crushing Hazard	1
9411011	Warning-Crushing Hazard	1
9411013	Warning-Injection Hazard	1
9411015	Caution-Restricting Access	1
9412001	Danger-Crushing/Burn Hazard	1

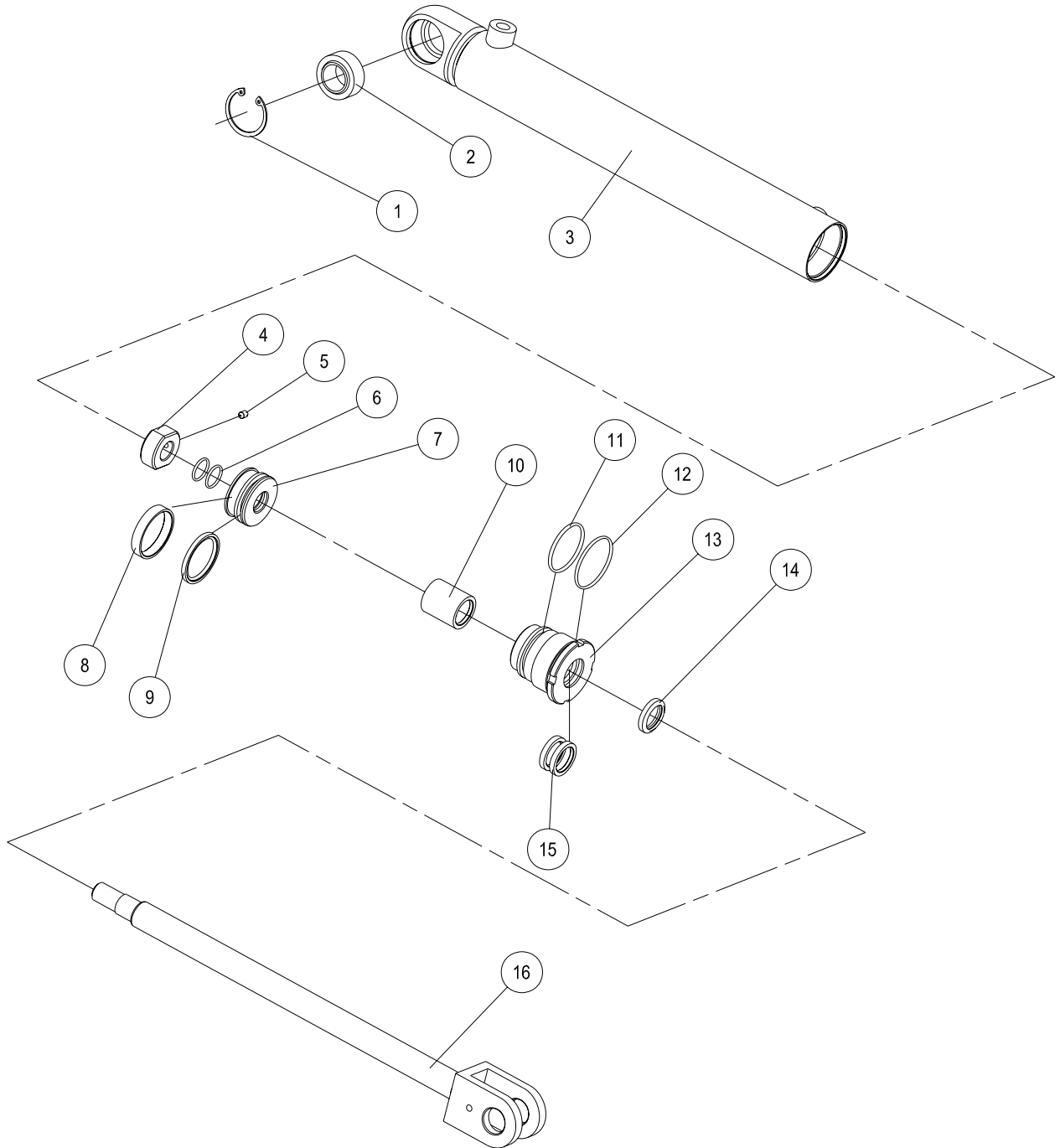
Steer Axle Card Linkage



Steer Axle Card Linkage

No.	Parts No.	Description	Qty.	Remark
1	GB/T5783-2000	Bolt M6×16	6	
2	GB/T93.1-2000	Circlip 6	6	
3	JCPT1523RT-12006	Pivot ϕ 6	6	
4	JCPT1523RT-12010	Master Cylinder Pin	4	
5	JCPT1523RT-12400	Tie Rod	1	
6	JCPT1523RT-12007	Washer	12	
7	JCPT1523RT-12021	Bearing 2428-20	4	
8	JCPT1523RT-12022	Bearing 4050-25	4	
9	JCPT1523RT-12300	Yoke Pivot Assembly, Left	1	
10	JCPT1523RT-12002	Pivot Pin (Below)	2	
11	JCPT1523RT-12003	Pivot 1, ϕ 10	4	
12	GB/T5783-2000	Bolt M10×30	5	
13	GB/T93.1-2000	Circlip 10	5	
14	JCPT1523RT-12023	Bearing F4550-30	2	
15	JPT1523RT-12100	Steer Axle Assembly, Oscillate	1	
16	JCPT1523RT-12200	Yoke Pivot Assembly, Right	1	
17	JCPT1523RT-12001	Pivot Pin (Up)	2	
18	JCPT1523RT-53100	Steer Cylinder	2	
19	JCPT1523RT-12004	Cylinder Pin (Back)	2	
20	JCPT1523RT-12008	Pivot Pin	1	
21	JCPT1523RT-12005	Pivot 2, ϕ 10	1	
22	GB/T97.1-2000	Flat washer 10	5	

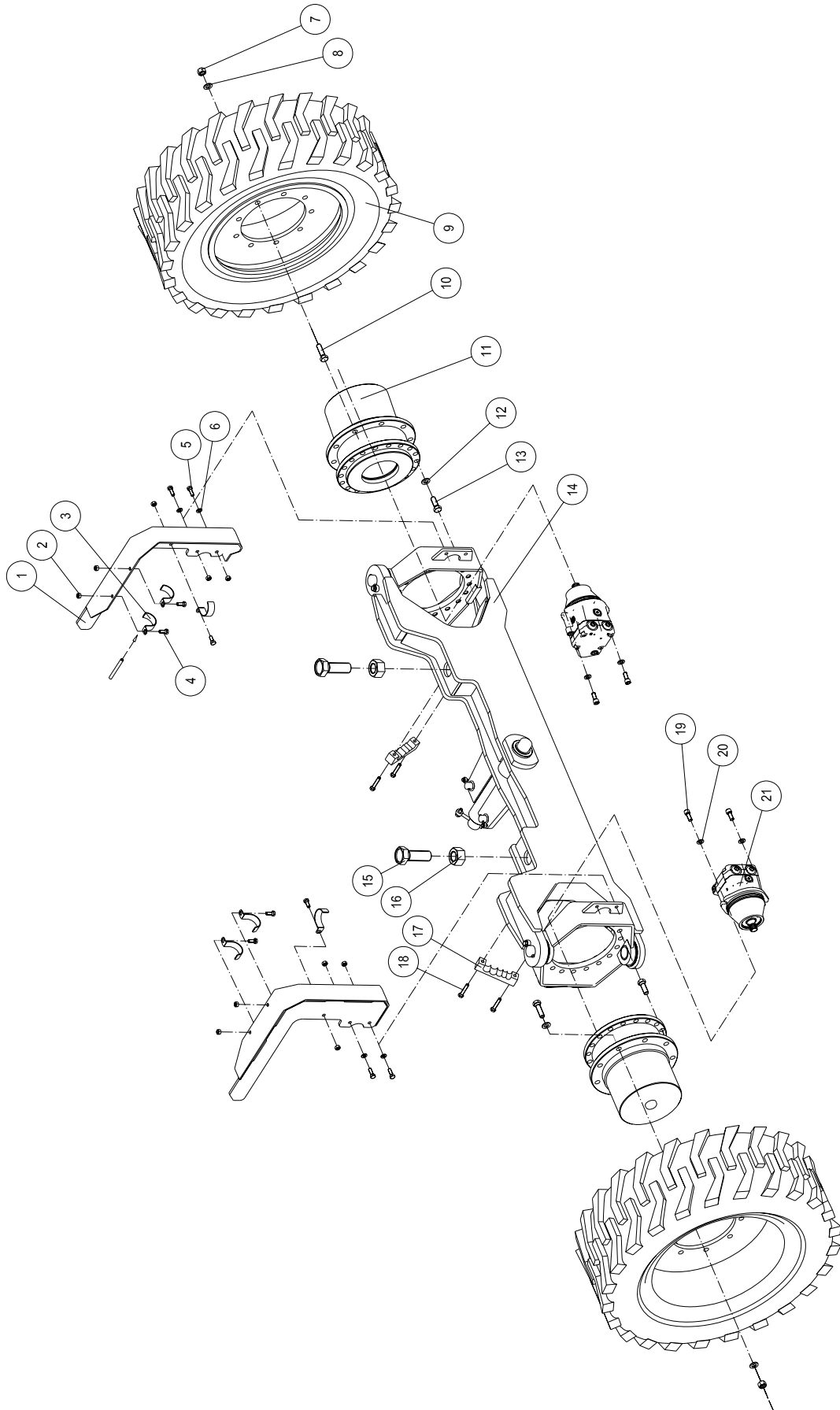
Steer Cylinder Assembly



Steer Cylinder Assembly

No.	Parts No.	Description	Qty.	Remark
1	GB893.1-86	Snap Ring D42	1	
2	GB304.5-81	Bearing GE25ES	1	
3	JCPT1523RT-53110	Barrel Weldment	1	
4	JCPT1523RT-53101	Nut M18	1	
5	GB79-85	Set Screw M6×8	1	
6	P20	Seal, O-Ring 19.8×2.4	2	
7	JCPT1523RT-53102	Piston	1	
8	D50×9.4×2.5	Ring, Back-Up	1	
9	GS55044-0500	Seal Assembly	1 组	
10	SF-1	Bearing	1	25×28-30
11	P46	Seal, O-Ring 45.7×3.5	1	
12	G50	Seal, O-Ring 49.4×3.1	1	
13	JCPT1523RT-53103	Head	1	
14	LBH25	Seal	1	25×33×4.5/6
15	ISI25	Seal	2	25×33×5
16	JCPT1523RT-53120	Rod Weldment	1	

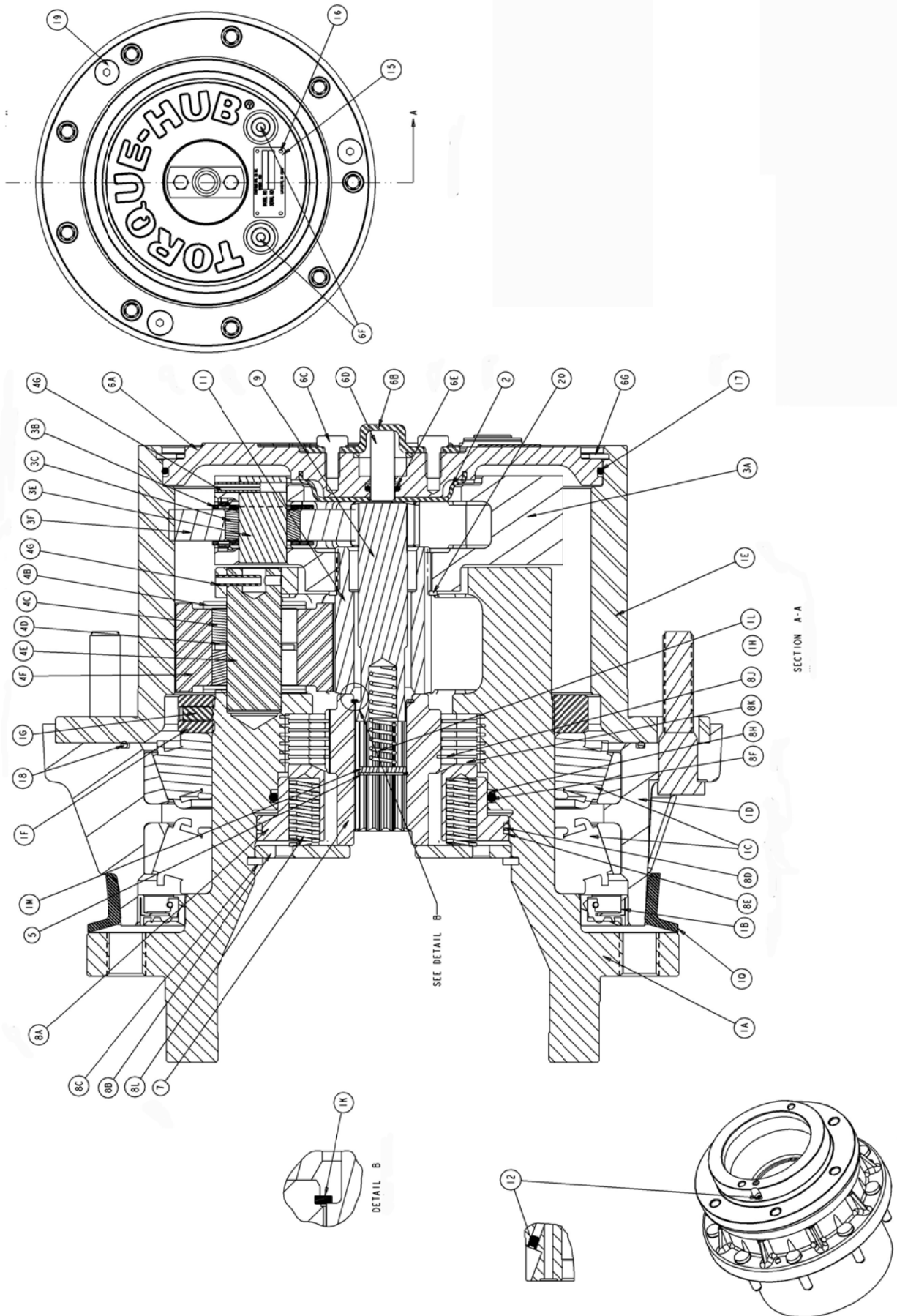
Steer Axle, Wheels and Drive Hubs



Steer Axle, Wheel and Drive Hubs

No.	Parts No.	Description	Qty.	Remark
1	JCPT1523RT-12510	Steer Yoke Guard	2	
2	GB/T6182-2000	Nylock Nut M10	10	
3	JCPT1523RT-12501	Rubber Cushioned Clamp	6	
4	GB/T5783-2000	Bolt M10×25	6	
5	GB/T5783-2000	Bolt M10×30	4	
6	GB/T97.1-2000	Flat Washer 10	4	
7	QC/T358	Nut M16	18	
8	GB/T97.1-2000	Flat Washer 16	18	
9	JCPT1523RT-18000	Wheel And Tire Assembly	2	
10	JCPT1523RT-12801	Bolt M16×1.5×55	18	
11	7HPF01FZZ3B048	Drive Hub	2	
12	GB/T97.1-2000	Flat Washer 16	36	
13	GB/T5786-2000	Bolt M16×1.5×50	36	
14	JCPT1523RT-12100	Steer Axle Assembly	1	
15	GB/T5781-2000	Bolt M36×100	2	
16	GB6170-2000	Nut M36	2	
17	JCPT1523RT-12009	Drive Motor Hose Clamp	2	
18	GB/T5782-2000	Bolt M10×55	4	
19	GB/T70.1-2000	Screw M12×30	4	
20	GB/T97.1-2000	Flat Washer 12	4	
21	JCPT1523RT-12900	Drive Motor	2	

Drive Hub Assembly



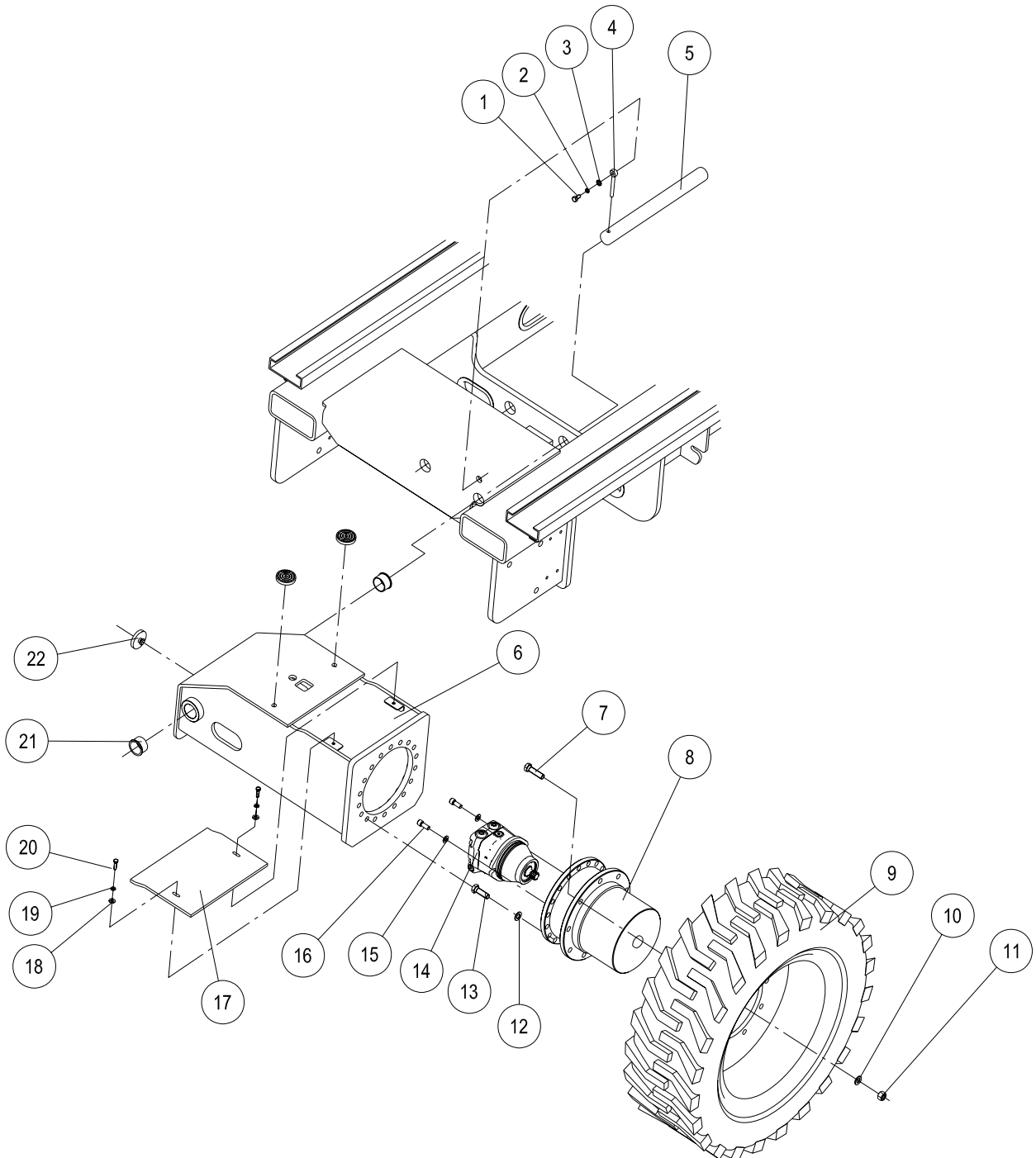
Drive Hub Assembly

No.	Parts No.	Description	Qty.	Remark
7	AMD2100207B	A/M Input Shaft	1	
8C	9100328	Ret ,Ring-int	1	
8A	AM9024530F	A/M Brake Pisto	3	
1F	980166	Nut,Brg*India*	1	
18	940082	O-Ring(172×8.2)	1	
1G	930310	Screw,Set-socket	2	
4F	AMD2320001	A/M Planet Gear	1	
4E	D2220101	Shaft ,Planet * I	3	
4G	920002	Pin,Roll	3	
6A	AMD2500401A	A/M Cover S-A* I	1	
2	960485	Spacer,Thrust* I	1	
20	9100165	Ret ,Ring-ext	1	
6G	9100297	Ret ,Ring-int	1	
17	940008	O-Ring(166×6)	1	
3A	AMD2210502	A/M Carrier S-A	1	
1E	D2500001	Gear, Ring	1	
1H	97000F	Stud*India	9	
8J	902426W	Brake,Rotor	5	
8K	902427W	Brake,Stator	6	
8H	9400258	O-Ring,Back-up	1	
8F	9400256	O-Ring(237×3)	1	
1D	D2500601	Housing*India*	1	
1C	9008515	(T4CB140)Brg,Ta	2	
8D	9400102	O-Ring(1154×3)	1	
8E	9400248	O-Ring,Back-up	1	
1B	9013266	Seal,Mult	1	
1Q	9013239	Seal,Boot	1	
1A	D2400716	Spindle*India*	1	
12	950407	Pressure Plug	1	
15	901202	Plate,ID*India	1	

Drive Hub Assembly

No.	Parts No.	Description	Qty.	Remark
16	930301	Screw,Drive	4	
19	930904	Bolt,FT,HD-HX	3	

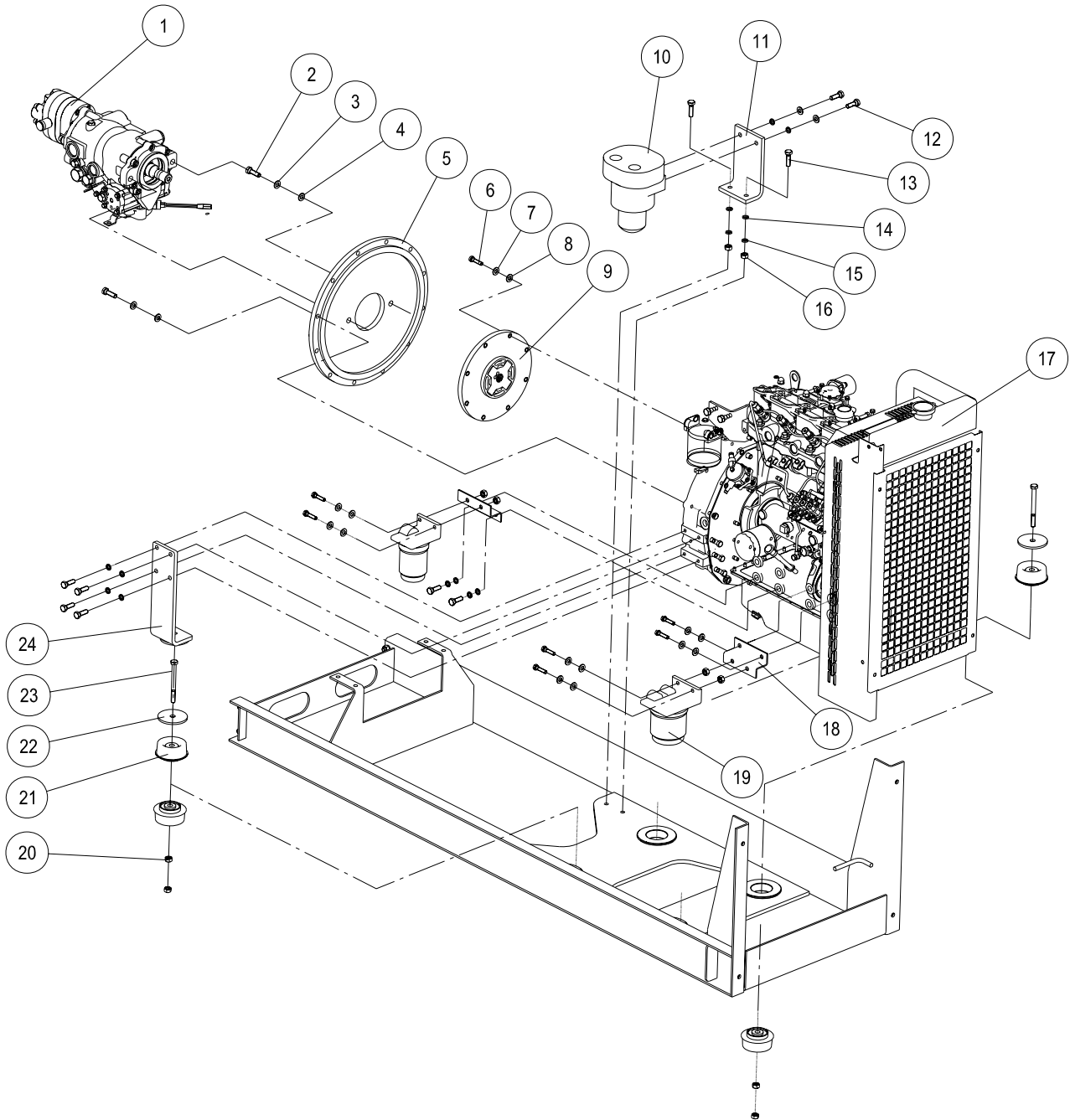
Non-Steer Axle, Wheels and Drive Hubs



Non-Steer Axle、Wheels and Drive Hubs

No.	Parts No.	Description	Qty.	Remark
1	GB/T5783-2000	Bolt M10×30	1	
2	GB/T93.1-2000	Circlip 10	1	
3	GB/T97.1-2000	Flat Washer 10	1	
4	JCPT1523RT-12005	Rod End, φ 10	1	
5	JCPT1523RT-13002	Pivot Pin	1	
6	JCPT1523RT-13100	Non-Steer Axle Assembly	1	
7	JCPT1523RT-12801	Bolt M16×1.5×55	9	
8	7HPF01FZZ3B048	Drive Hub	1	
9	JCPT1523RT-18000	Wheel And Tire Assembly	1	
10	GB/T97.1-2000	Flat Washer 16	9	
11	QC/T358	Nut M16	9	
12	GB/T93.1-2000	Circlip 16	18	
13	GB/T5786-2000	Bolt M16×1.5×50	18	
14	JCPT1523RT-12900	Drive Motor	1	
15	GB/T97.1-2000	Flat Washer 12	2	
16	GB/T70.1-2000	Screw M12×30	2	
17	JCPT1523RT-13003	Rear Axle Cover	1	
18	GB/T97.1-2000	Flat Washer 8	2	
19	GB/T93.1-2000	Circlip 8	2	
20	GB/T5783-2000	Bolt M8×25	2	
21	JCPT1523RT-12023	Bearing F4550-30	2	
22	JCPT1523RT-11001	Support Bumper	3	

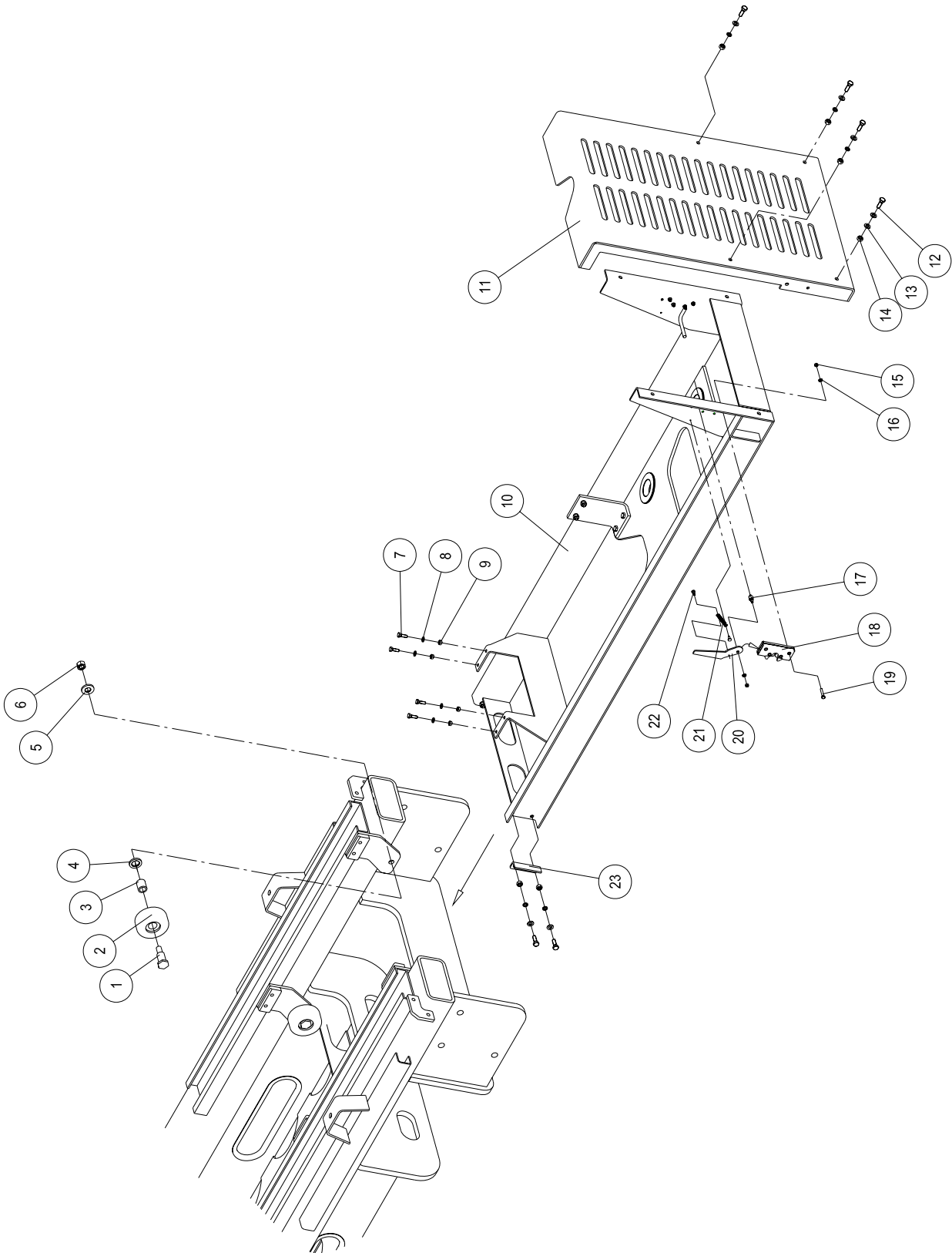
Perkins 404D22 Engine



Perkins 404D22 Engine

No.	Parts No.	Description	Qty.	Remark
1	MPV046C-M46-20818	Hydraulic Pump	1	
2	GB/T70.1-2000	Screw M14×35	2	
3	GB/T93.1-2000	Circlip M14	2	
4	GB/T97.1-2000	Flat Washer 14	2	
5	JCPT1523RT-10804	Pump Mount Plate	1	
6	GB/T5783-2000	Bolt 5/16-18UNC×1	8	
7	GB/T93.1-2000	Circlip 8	8	
8	GB/T97.1-2000	Flat Washer 8	8	
9	JCPT1523RT-10812	Pump Coupler	1	
10	JCPT1523RT-10813	Oil Filter	1	
11	JCPT1523RT-10807	Oil Filter Bracket	1	
12	GB/T5783-2000	Bolt 3/8-16UNC×1	24	
13	GB/T5783-2000	Bolt M10×35	6	
14	GB/T97.1-2000	Flat Washer 10	30	
15	GB/T93.1-2000	Circlip 10	30	
16	GB/T6182-2000	Nylock Nut M10	10	
17	404C-22-38KW	Engine, Perkins	1	
18	JCPT1523RT-10809	Bracket	2	
19	JCPT1523RT-10814	Engine Oil Filter	1	
20	GB/T6170-2000	Nut M10	4	
21	JCPT1523RT-10862	Cushion	4	
22	JCPT1523RT-10861	Plate	4	
23	GB/T5782-2000	Bolt M10×110	4	
24	JCPT1523RT-10806	Engine, Mount Bracket	2	
25	JCPT1523RT-10815	Filter	1	

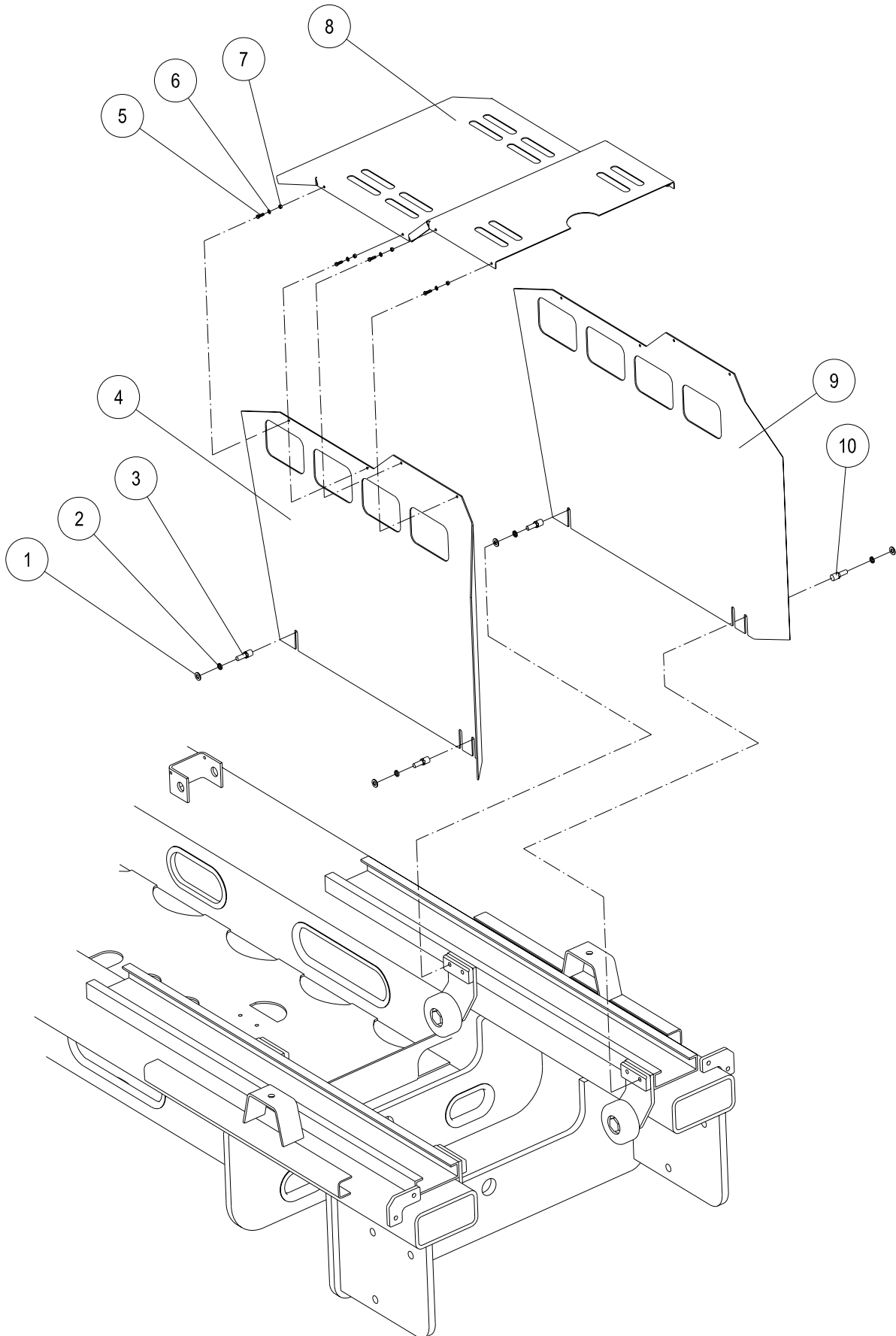
Engine Tray Components



Engine Tray Components

No.	Parts No.	Description	Qty.	Remark
1	JCPT1523RT-11007	Shoulder Bolt M16	4	
2	JCPT1523RT-11005	Wheel Roller	4	
3		Bearing 2428-35	4	
4	JCPT1523RT-11006	Roller Wheel Spacer	4	
5	GB/T97.1-2000	Flat Washer 16	4	
6	GB/T6182-2000	Nylock Nut M16	4	
7	GB/T5783-2000	Bolt M8×25	4	
8	GB/T97.1-2000	Flat Washer 8	4	
9	GB/T6182-2000	Nylock Nut M8	4	
10	JCPT1523RT-10820	Engine Tray Assembly	1	
11	JCPT1523RT-10840	Front Cover	1	
12	GB/T5783-2000	Bolt M10×30	8	
13	GB/T97.1-2000	Flat Washer 10	16	
14	GB/T6182-2000	Nylock Nut M10	8	
15	GB/T6182-2000	Nylock Nut M6	10	
16	GB/T97.1-2000	Flat Washer6	10	
17	JCPT1523RT-10801	Should Pin	2	
18	JCPT1523RT-10870	Lock	2	
19	GB/T5783-2000	Bolt M6×35	8	
20	JCPT1523RT-10802	Handle	2	
21	JCPT1523RT-10803	Handle Spring	2	
22	JCPT1523RT-10808	Pin	4	
23	JCPT1523RT-10805	Tailgate	2	

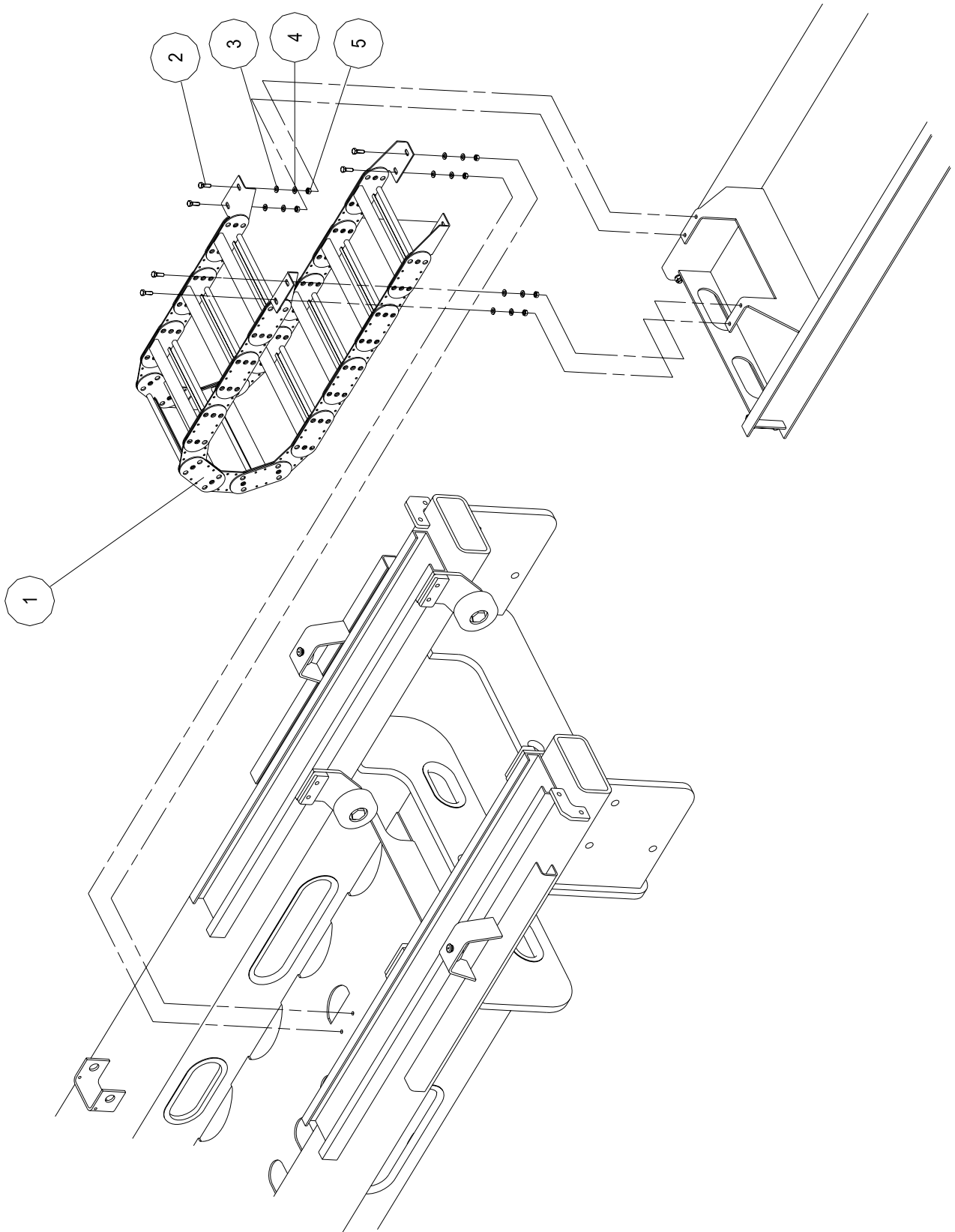
Engine Cover Components



Engine Cover Components

No.	Parts No.	Description	Qty.	Remark
1	GB/T97.1-2000	Flat Washer 10	4	
2	GB/T93.1-2000	Washer 10	4	
3	GB/T5783-2000	Bolt M10×25	2	
4	JCPT1523RT-10033	Engine Box Cover(Ground Controls Side)	1	
5	GB/T5783-2000	Bolt M5×15	8	
6	GB/T97.1-2000	Flat Washer 5	16	
7	GB/T6182-2000	Nut M5	8	
8	JCPT1523RT-10031	Engine Cover Top	1	
9	JCPT1523RT-10034	Engine Box Cover(Hydraulic Tank)	1	
10	JCPT1523RT-10032	Carriage Screw M10	2	

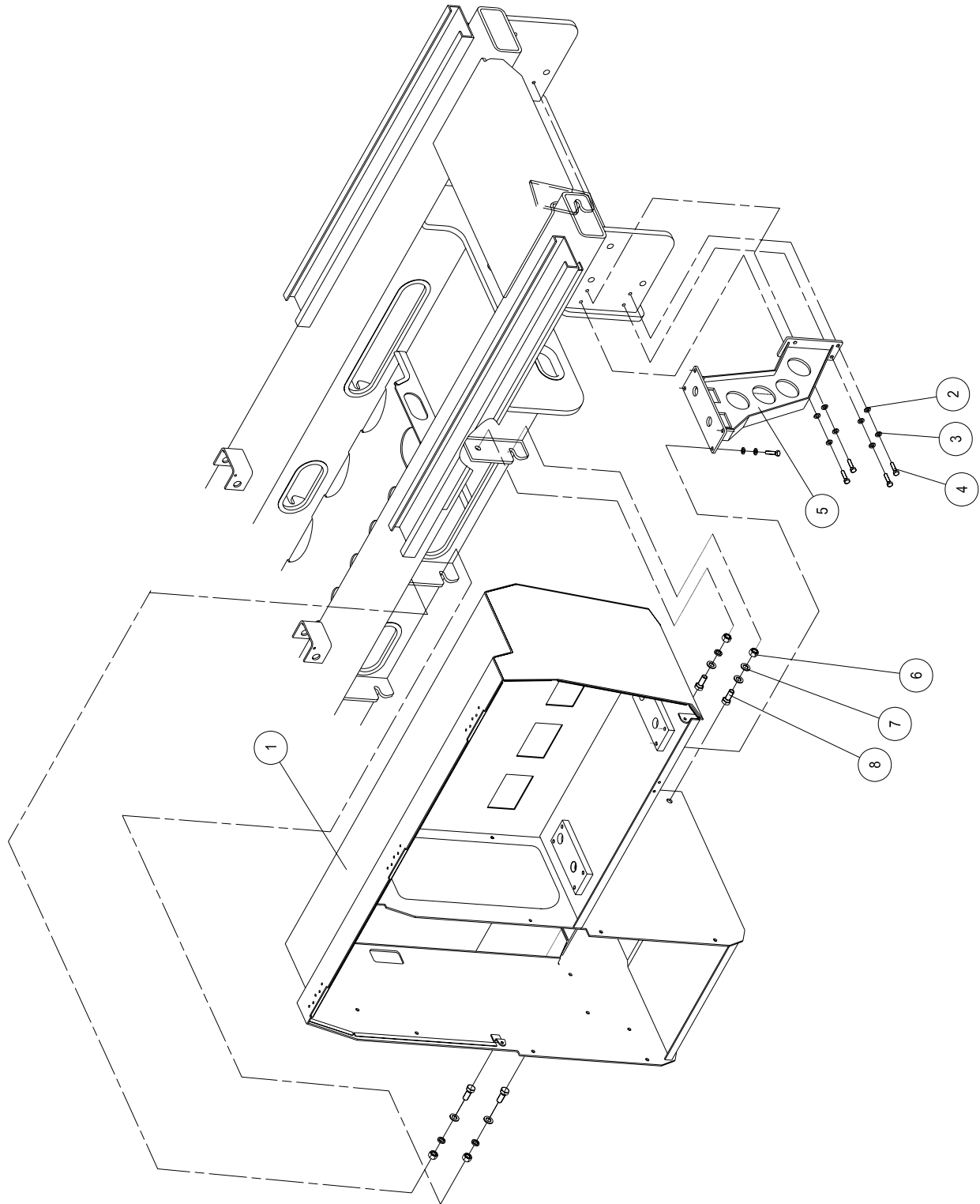
Cable Track Components



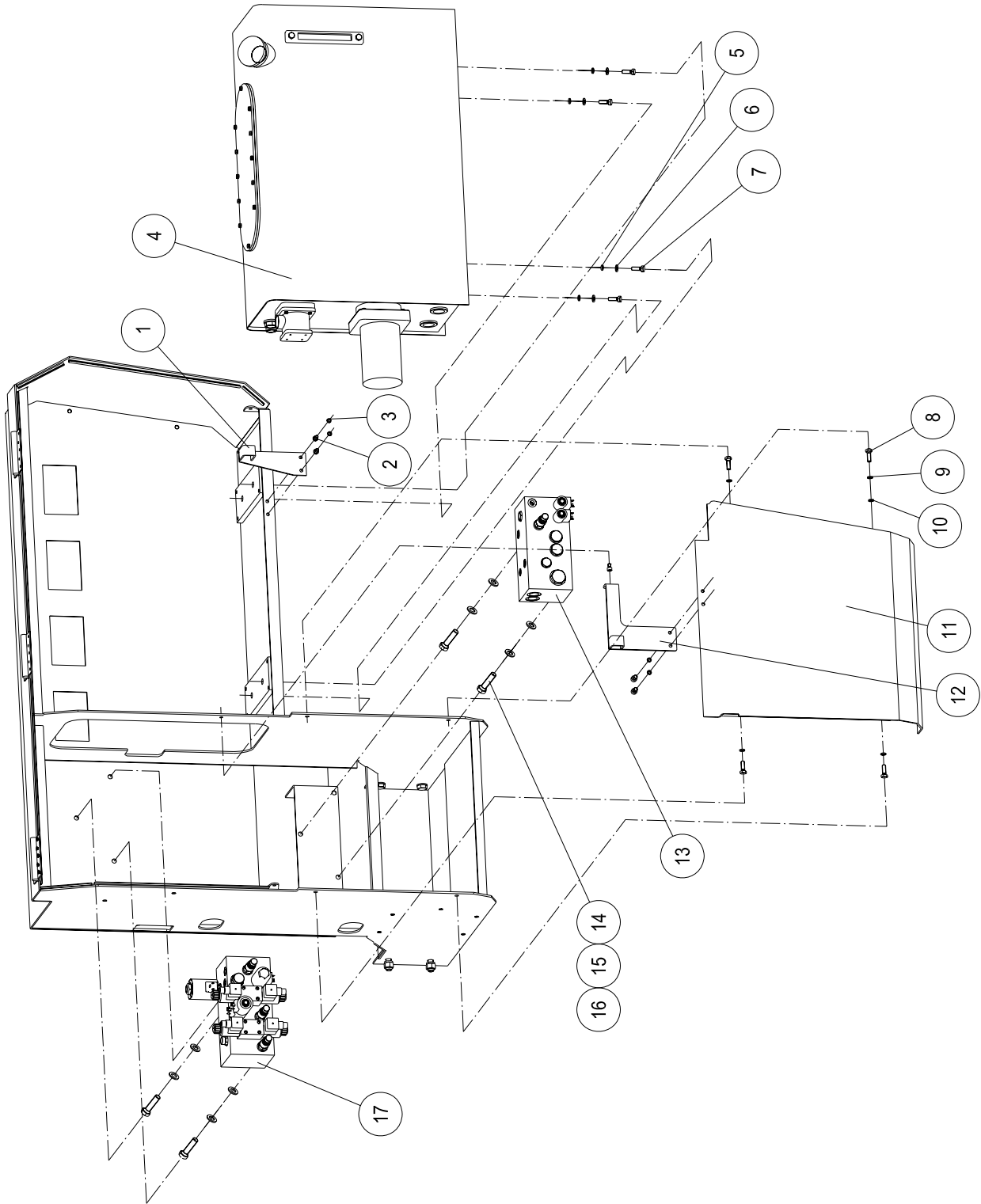
Cable Track Components

No.	Parts No.	Description	Qty.	Remark
1	JB/GQ0612-87	Cable Track	1	
2	GB/T5783-2000	Bolt M8×25	8	
3	GB/T97.1-2000	Flat Washer 8	8	
4	GB/T93.1-2000	Circlip 8	8	
5	GB/T6182-2000	Nylock Nut M8	8	

Drive Chassis Trays and Hydraulic Tank Tray Components



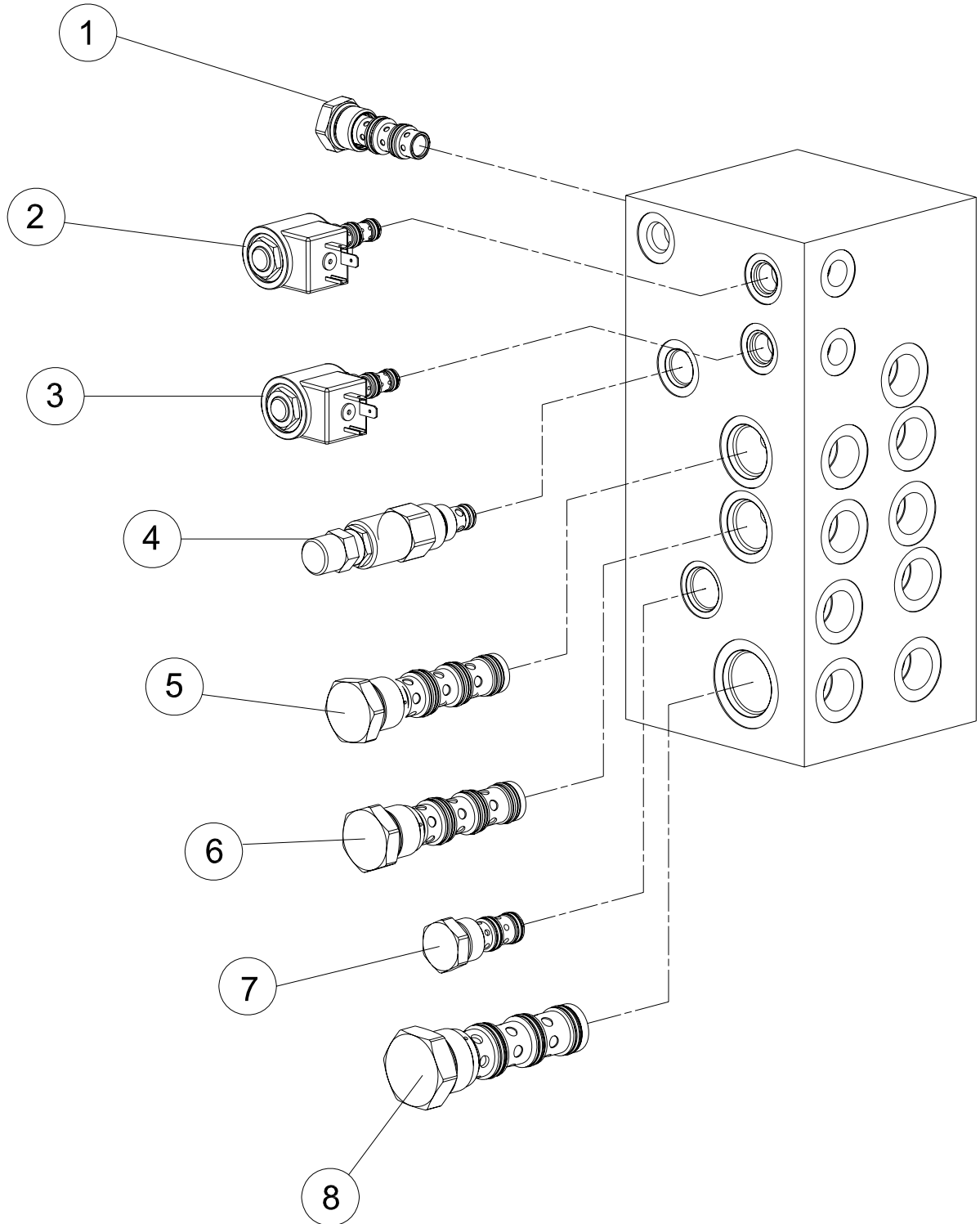
Hydraulic Tank and Manifolds Assembly Installation



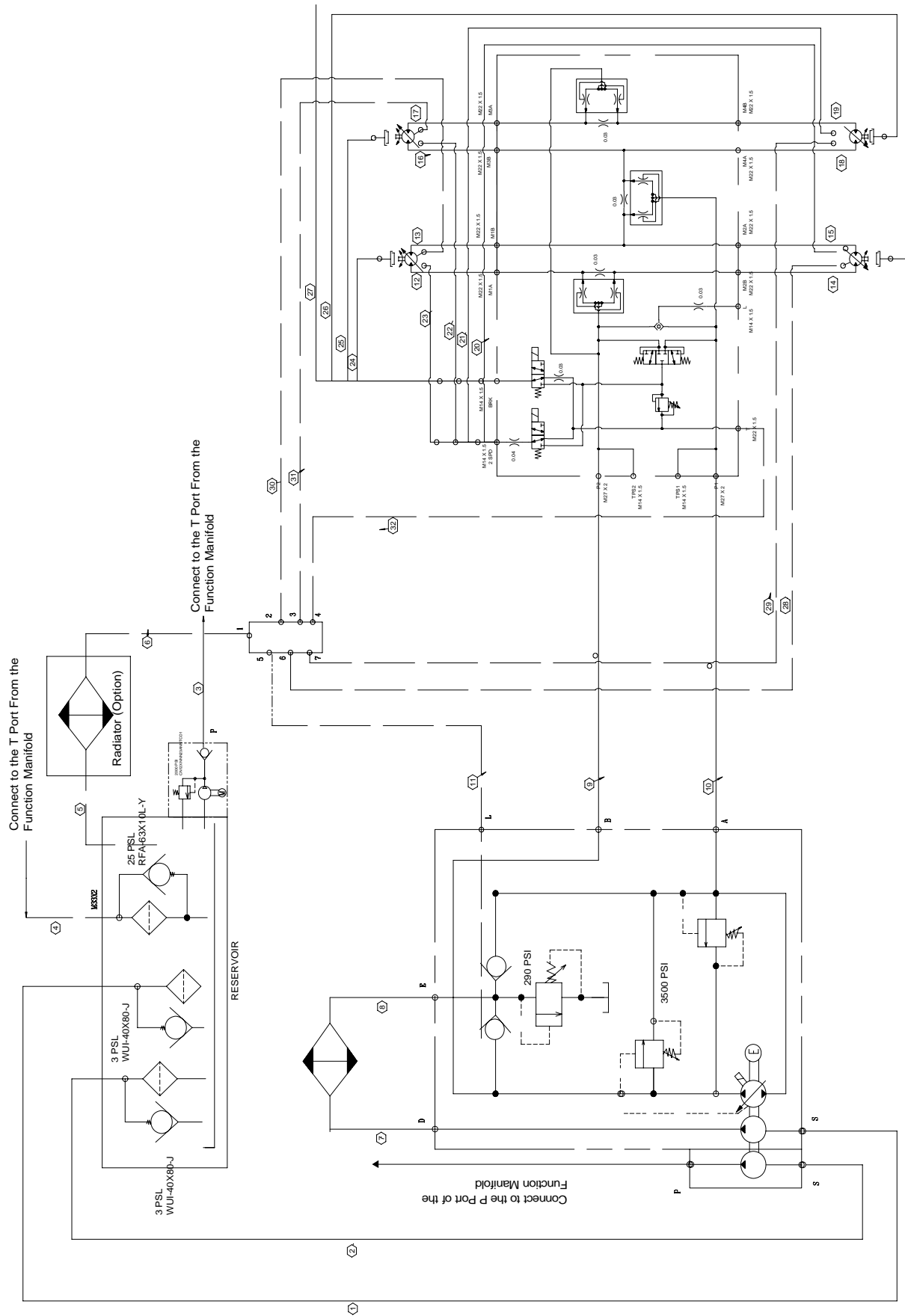
Hydraulic Tank and Manifolds Assembly Installation

No.	Parts No.	Description	Qty.	Remark
1	JCPT1523RT-82040	Door Latch Hook, Right	1	
2	GB/T5783-2000	Bolt M8×10	4	
3	GB/T93.1-2000	Circlip 8	4	
4	JCPT1523RT-55000	Hydraulic Tank	1	
5	GB/T97.1-2000	Flat Washer 16	4	
6	GB/T93.1-2002	Circlip 16	4	
7	GB/T5785-2000	Bolt M16×1.5×45	4	
8	GB/T5783-2000	Bolt M10×30	4	
9	GB/T93.1-2000	Circlip 10	4	
10	GB/T97.1-2000	Flat Washer 10	4	
11	JCPT1523RT-82300	Front Cover (Hydraulic Tank Side)	1	
12	JCPT1523RT-82070	Door Latch, Left	1	
13	DPH-05004(A)-08	Manifold	1	
14	GB/T5783-2000	Bolt M12×25	5	
15	GB/T93.1-2000	Circlip 12	5	
16	GB/T97.1-2000	Flat Washer 12	5	
17	DPH-05004(B)-08	Manifold	1	

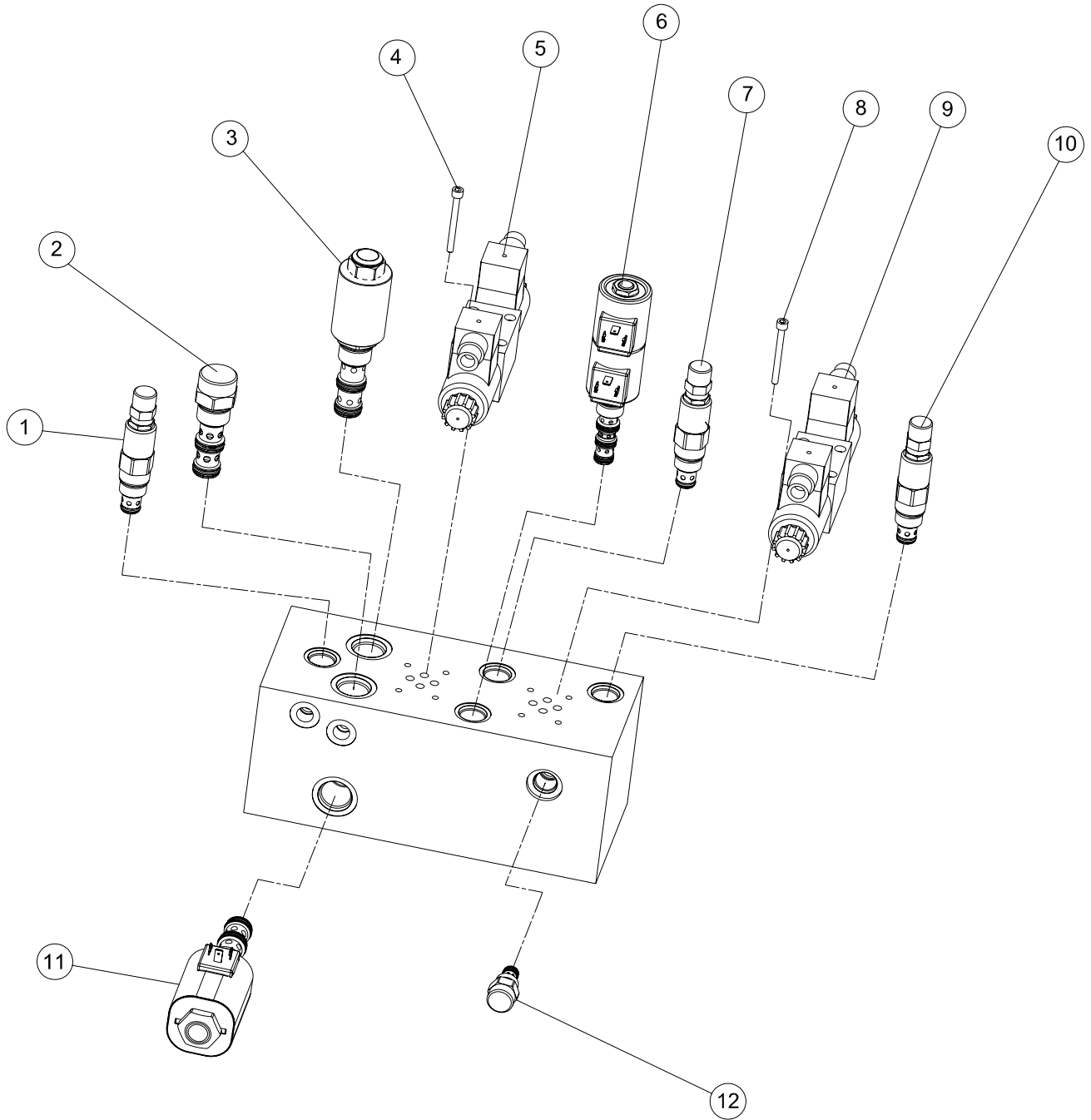
Drive Manifold Assembly



Drive Hydraulic Schematic



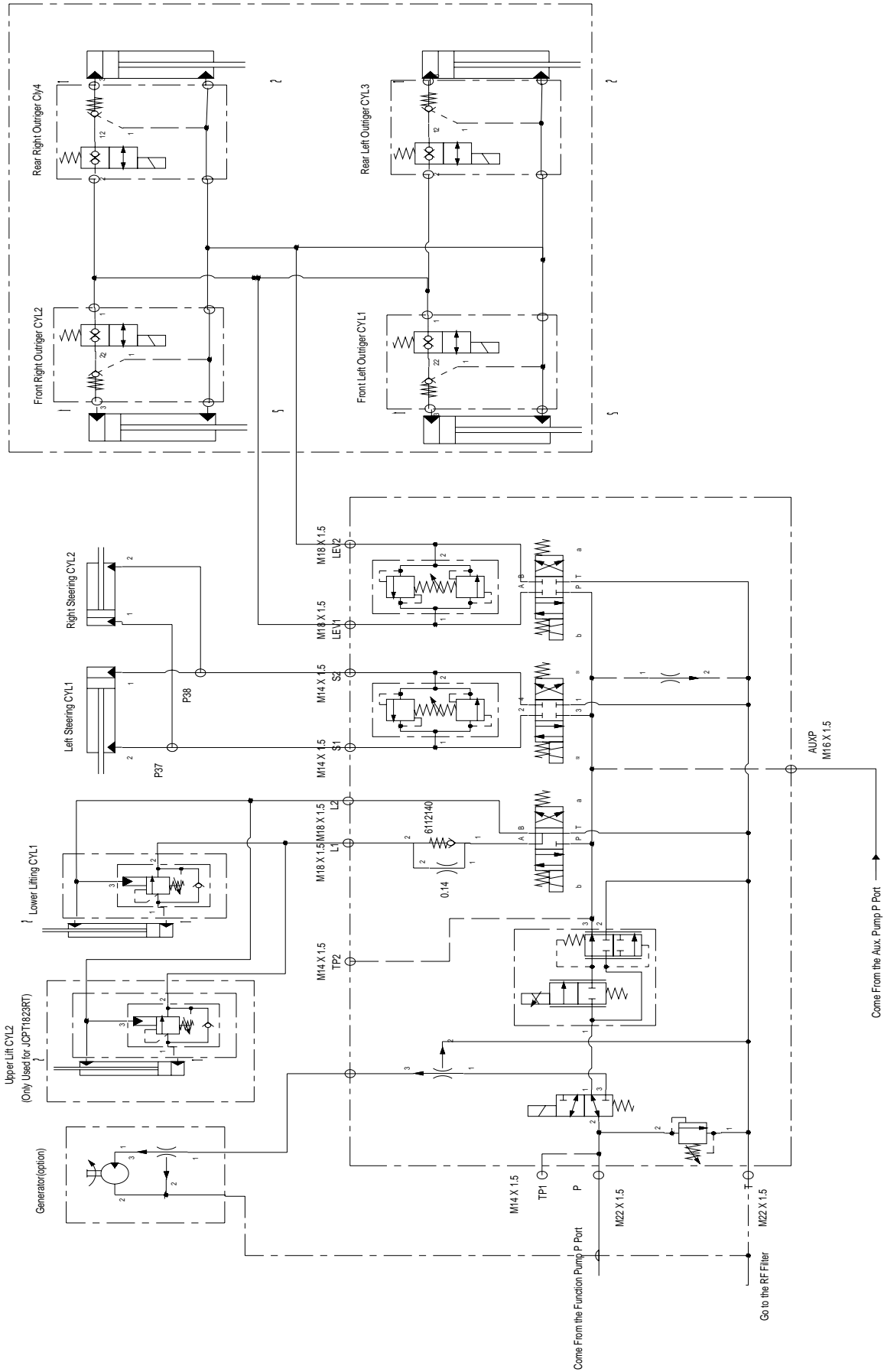
Function Manifold Assembly



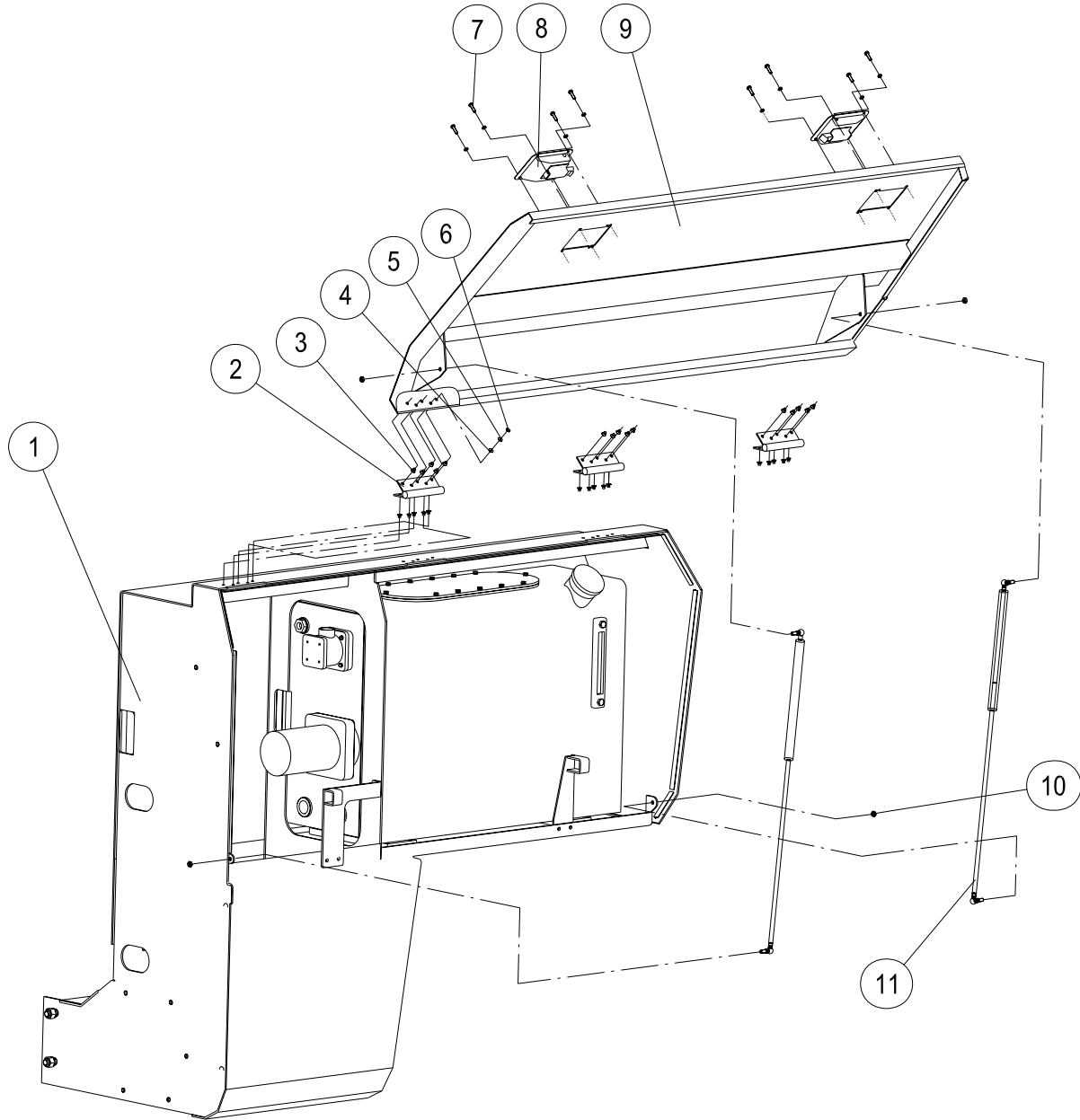
Function Manifold Assembly

No.	Parts No.	Description	Qty.	Remark
1	RV10-22C-0-N-35/M215	Relief Valve	1	
2	FR12-30F-0-N/M25	Priority Flow Valve	1	
3	PV72-30B-0-N-12DG	Speed Control Valve	1	
4	GB70-85	Screw M5×50	4	
5	SVD03-47D-N-12DG	Solenoid Valve	1	
6	SV10-47C-0-N-12DG	Solenoid Valve	1	
7	CR10-28C-0-N-24/M100	Bi-directional Relief Valve	1	
8	GB70-85	Screw M5×50	4	
9	SVD03-47C-N-12DG	Solenoid Valve	1	
10	CR10-28C-0-N-24/M100	Bi-directional Relief Valve	1	
11	SV12-34-0-N-12EG	Solenoid Valve	1	
12	FR08-20F-0-N-0.1	Throttle Valve	1	

Function Hydraulic Schematic



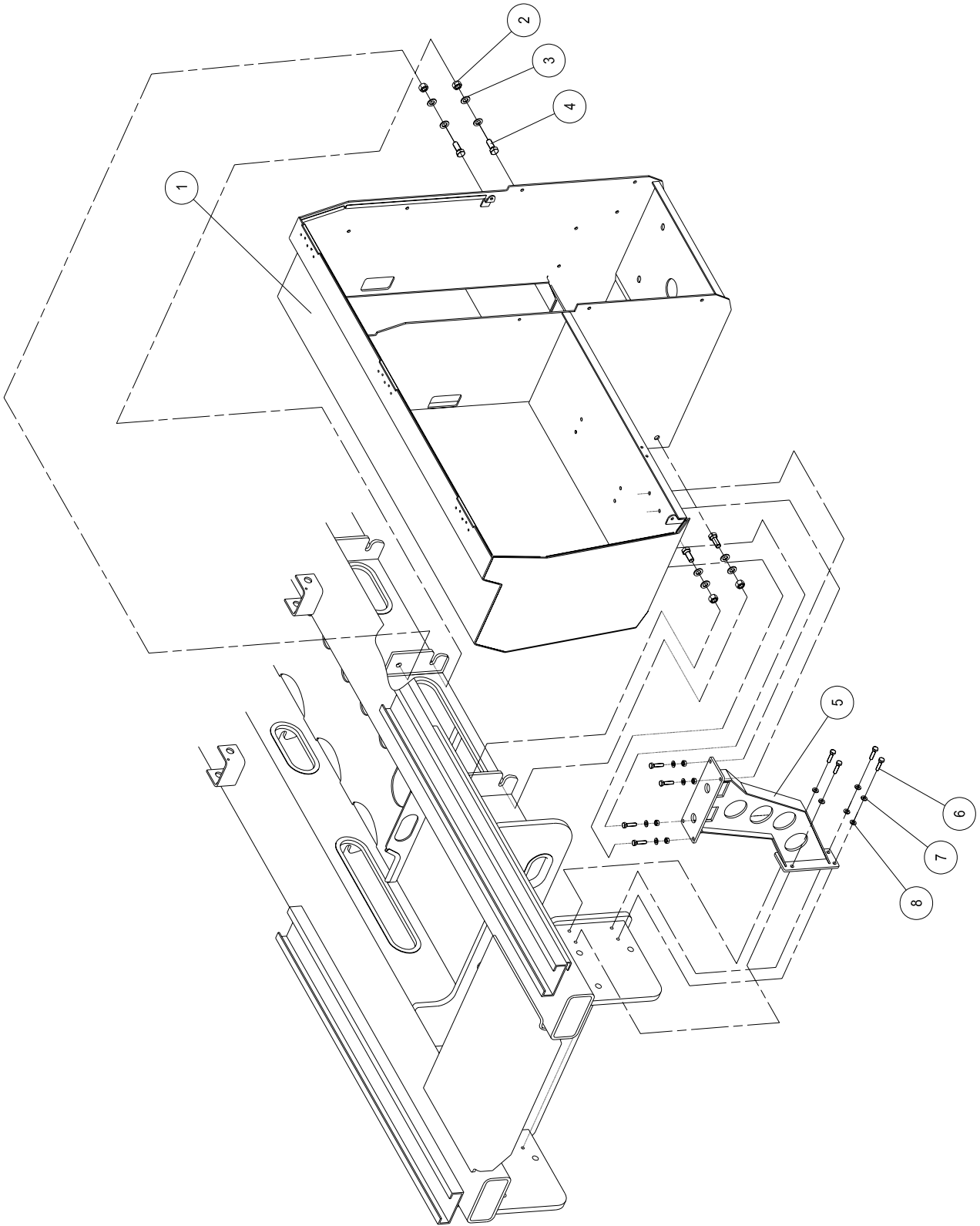
Hydraulic Tank Tray Assembly



Hydraulic Tank Tray Assembly

No.	Parts No.	Description	Qty.	Remark
1	JCPT1523RT-82100	Hydraulic Troy Assembly	1	
2	JCPT1523RT-82003	Door Hinge	3	
3	GB/T819-85	Screw M6×20	30	
4	GB/T97.1-2000	Flat Washer 6	38	
5	GB/T93.1-2000	Circlip 6	30	
6	GB/T6182-2000	Nut M6	38	
7	GB/T818-85	Screw M6×15	8	
8	JCPT1523RT-82002	Door Latch	2	
9	JCPT1523RT-82200	Door Assembly	1	
10	GB/T6182-2000	Nut M8	4	
11	JCPT1523RT-82001	Air Spring	2	

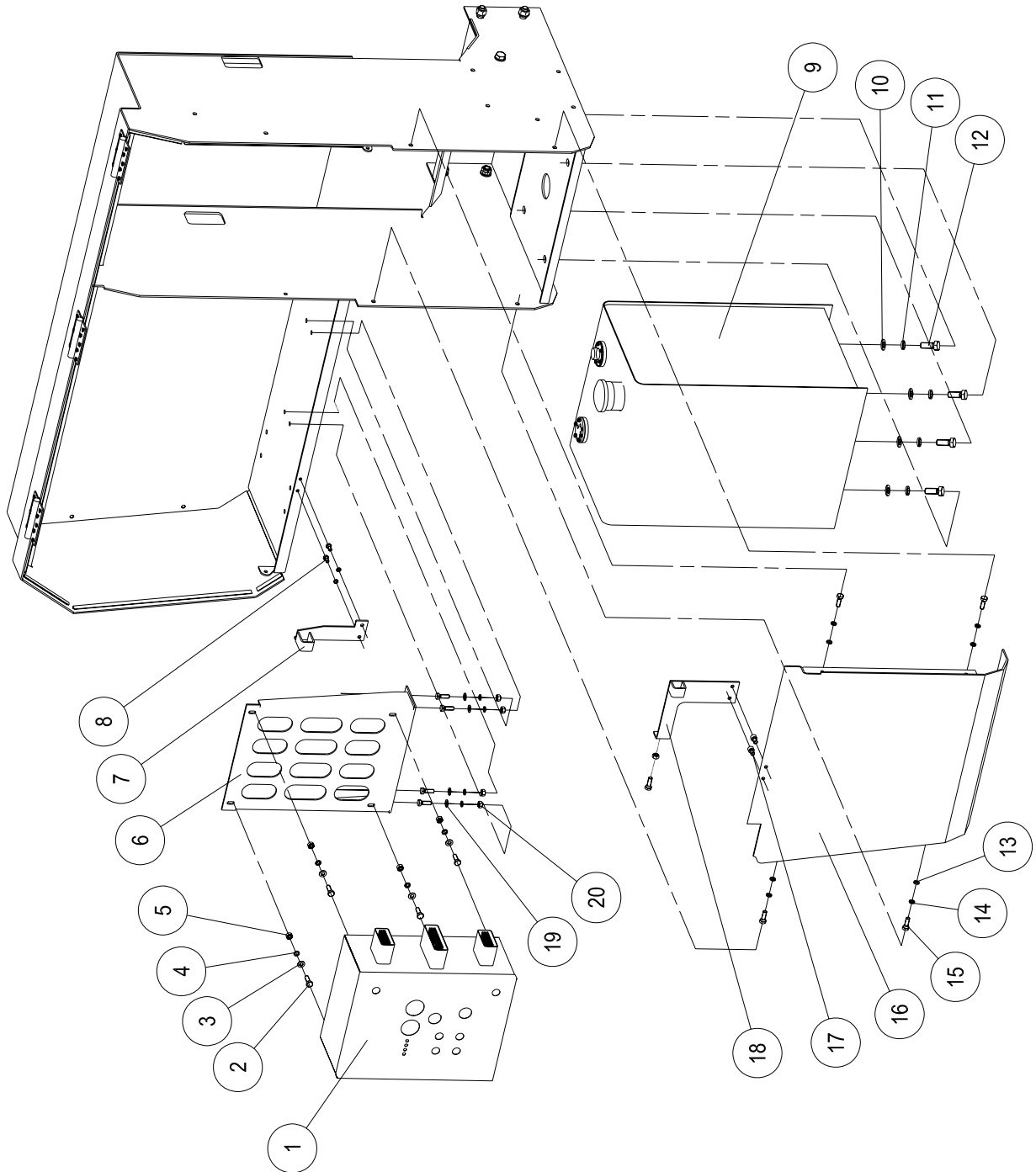
Drive Chassis Trays and Ground Controls Tray Components



Drive Chassis Trays and Ground Controls Tray Components

No.	Parts No.	Description	Qty.	Remark
1	JCPT1523RT-83100	Box (Ground Control Side)	1	
2	GB/T6182-2000	Nylock Nut M16	4	
3	GB/T97.1-2000	Circlip 16	8	
4	GB/T5783-2000	Bolt M16×50	4	
5	JCPT1523RT-10410	Bracket	1	
6	GB/T5783-2000	Bolt M10×30	8	
7	GB/T93.1-2000	Circlip 10	8	
8	GB/T97.1-2000	Flat Washer 10	8	

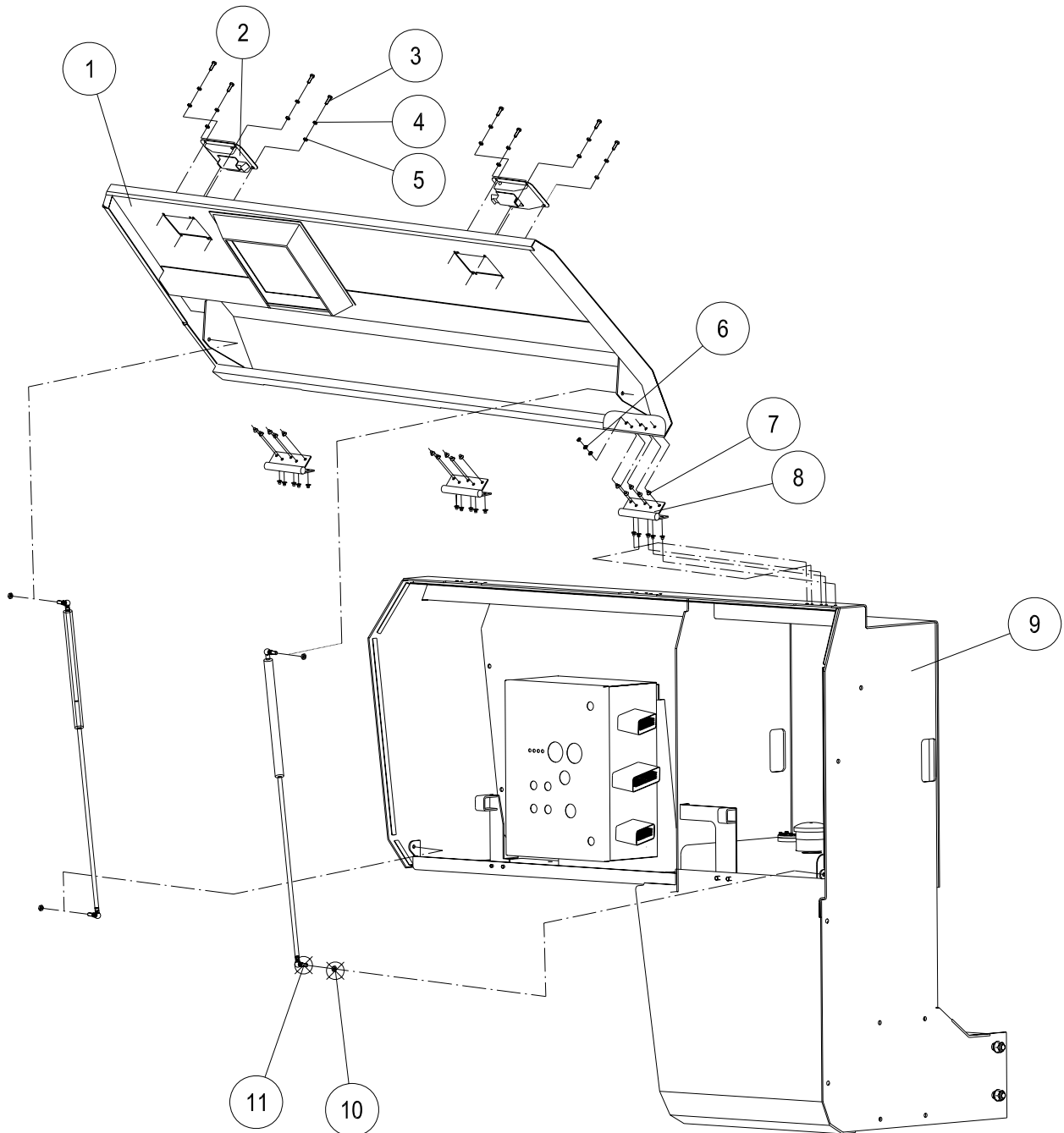
Fuel Tank and Ground Controls Assembly Installation



Fuel Tank and Ground Controls Assembly Installation

No.	Parts No.	Description	Qty.	Remark
1	JCPT1523RT-82400	Ground Controls	1	
2	GB/T5783-2000	Bolt M8×30	5	
3	GB/T97.1-2002	Flat Washer 8	4	
4	GB/T93.1-2000	Circlip 8	6	
5	GB/T6182-2000	Nylock Nut M8	5	
6	JCPT1523RT-83120	Ground Controls Bracket	1	
7	JCPT1523RT-83010	Door Latch Hook. Left	1	
8	GB/T5783-2000	Bolt M8×10	2	
9	JCPT1523RT-22200	Fuel Tank	1	
10	GB/T97.1-2000	Flat Washer 16	4	
11	GB/T93.1-2000	Circlip 16	4	
12	GB/T5783-2000	Bolt M16×1.5×30	4	
13	GB/T97.1-2000	Flat Washer10	8	
14	GB/T93.1-2000	Circlip 10	8	
15	GB/T5783-2000	Bolt M10×30	8	
16	JCPT1523RT-83300	Front Cover	1	
17	GB2673-86	Screw M8×10	2	
18	JCPT1523RT-83020	Door Latch Hook, Right	1	
19	GB/T97.1-2000	Flat Washer 10	4	
20	GB/T6182-2000	Nylock Nut M10	8	

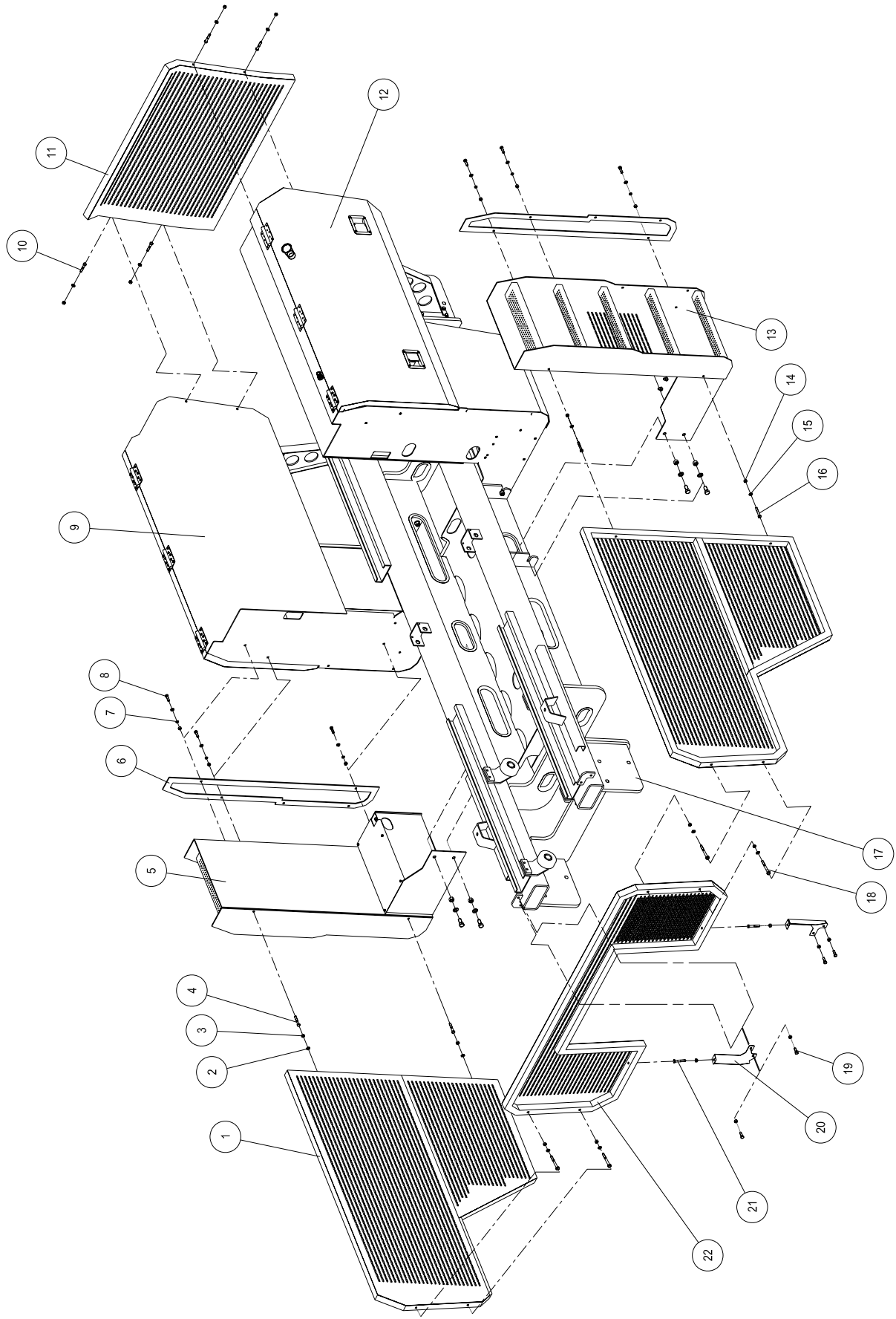
Ground Controls (Fuel Tank) Side Tray Assembly



Ground Controls (Fuel Tank) Side Tray Assembly

No.	Parts No.	Description	Qty.	Remark
1	JCPT1523RT-83200	Door Assembly	1	
2	JCPT1523RT-82002	Door Latch	2	
3	GB/T818-85	Screw M6×15	8	
4	GB/T97.1-2000	Flat Washer	38	
5	GB/T6182-2000	Nut M6	38	
6	GB/T93.1-2000	Circlip 6	30	
7	GB/T819-85	Screw M6×20	30	
8	JCPT1523RT-82003	Door Hinge	3	
9	JCPT1523RT-83100	Tray Assembly (Ground Control Side)	1	
10	GB/T6182-2000	Nut M8	4	
11	JCPT1523RT-82001	Air Spring	2	

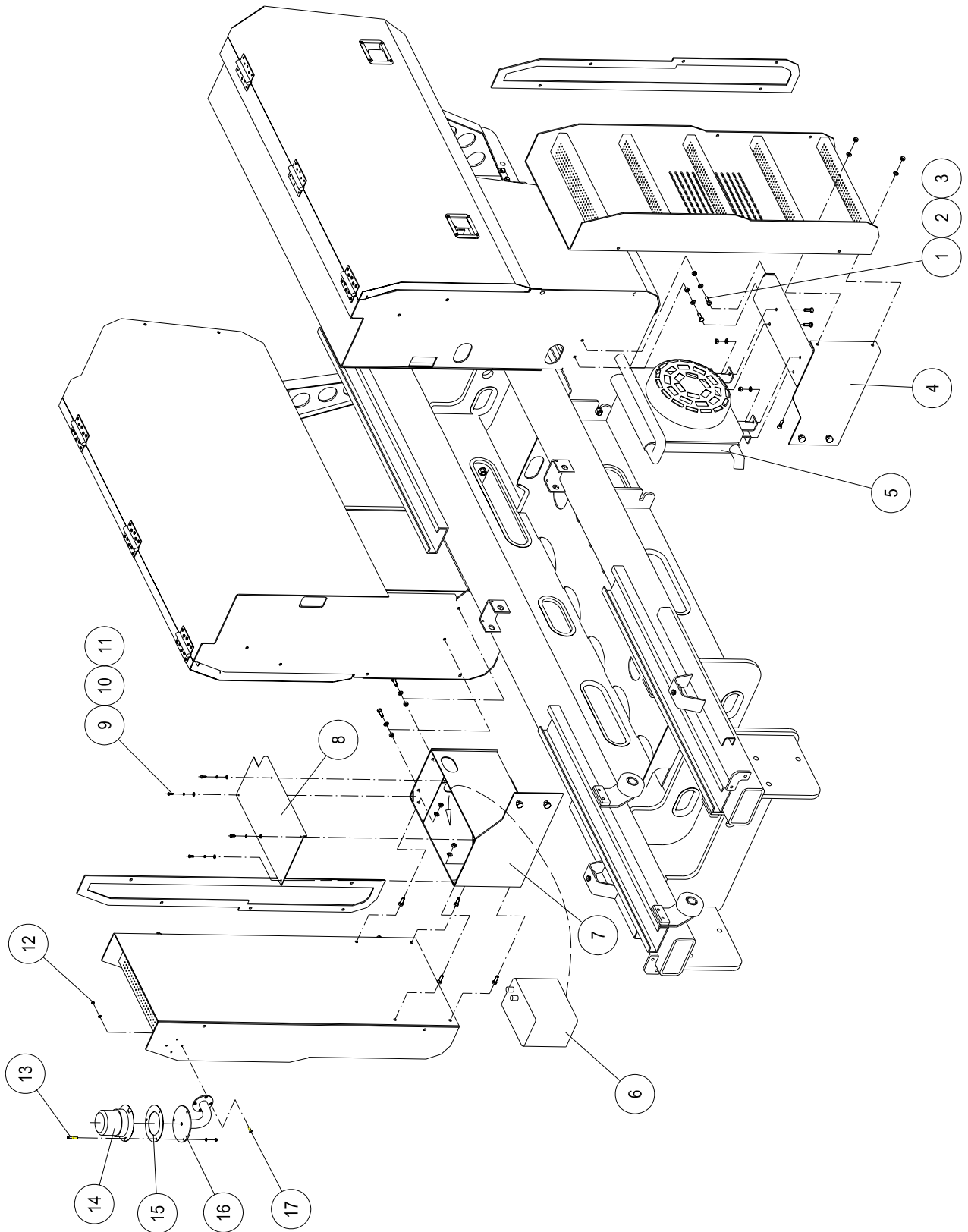
Link Guard Assembly and Ladder Assembly



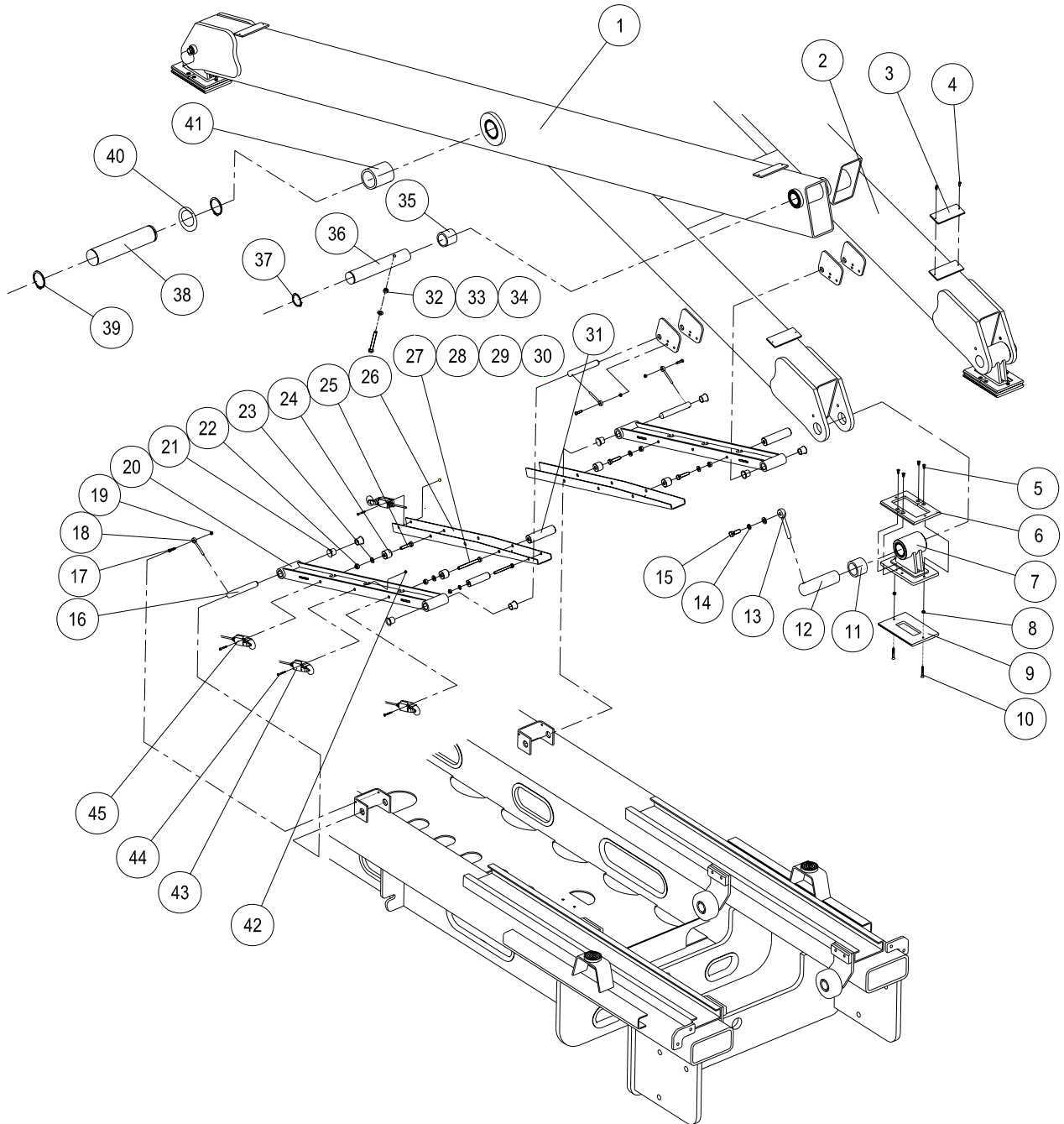
Link Guard Assembly and Ladder Assembly

No.	Parts No.	Description	Qty.	Remark
1	JCPT1523RT-10210	Link Guard Assembly	2	
2	GB/T97.1-2000	Flat Washer10	28	
3	GB/T6182-2000	Nylock NutM10	28	
4	GB/T5782-2000	Bolt M10×65	4	
5	JCPT1523RT-10320	Ladder Assembly(Ground Controls Side)	1	
6	JCPT1523RT-10314	Liner Board	2	
7	GB93-87	Circlip10	6	
8	GB/T5782-2000	Bolt M10×35	6	
9	JCPT1523RT-83000	Model Of Ground Controls Side	1	
10	GB/T5782-2000	Bolt M10×55	4	
11	JCPT1523RT-10510	Back Link Guard Assembly	1	
12	JCPT1523RT-82000	Model Of Hydraulic Tank Side	1	
13	JCPT1523RT-10310	Ladder Assembly(Hydraulic Tank Side)	1	
14	GB/T6182-2000	Nylock Nut M16	4	
15	GB/T97.1-2000	Flat Washer16	4	
16	GB/T5782-2000	Bolt M16×60	4	
17	JCPT1523RT-11000	Chassis	1	
18	GB/T5782-2000	Bolt M10×95	4	
19	GB/T5783-2000	Bolt M10×30	4	
20	JCPT1523RT-10011	Front Link Guard Bracket	2	
21	GB/T5782-2000	Bolt M10×65	2	
22	JCPT1523RT-10110	Front Link Guard	1	

Oil Cooler and Battery Tank Installation



Arm Assembly I and Chassis Components (JCPT1523RT)



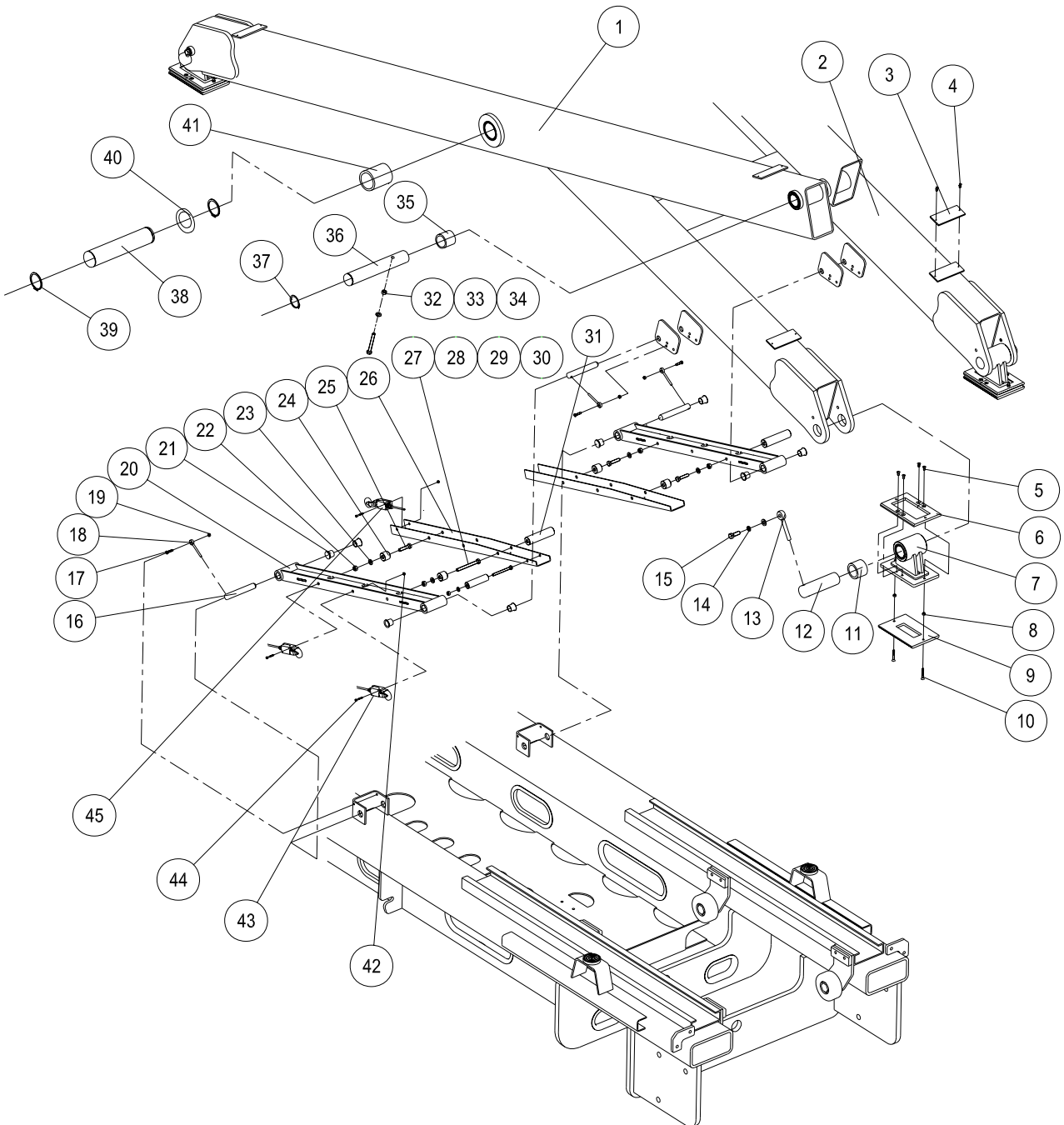
Arm Assembly I and Chassis Components (JCPT1523RT)

No.	Parts No.	Description	Qty.	Remark
1	JCPT1523RT-31800	Outer Arm Assembly I	1	
2	JCPT1523RT-31400	Inner Arm Assembly I	2	
3	JCPT1523RT-31201	Wear Pad	24	
4	GB/T 12617-2006	Rivet 4×25	48	
5	GB/T819-2000	Screw M6×10	16	
6	JCPT1523RT-31105	Wear Pad	16	
7	JCPT1523RT-31130	Link Slider Assembly	8	
8	GB/T6182-2000	Nylock Nut M6	16	
9	JCPT1523RT-31106	Wear Pad	8	
10	GB/T819-2000	Screw M6×40	16	
11	JCPT1523RT-31006	Bearing CRG4555-40	16	
12	JCPT1523RT-31103	Pivot Pin	8	
13	JCPT1523RT-31104	Rod End 12	8	
14	GB/T93.1-2000	Circlip 12	8	
15	GB/T5783-2000	Screw M12×35	8	
16	JCPT1523RT-31101	Pin	8	
17	GB/T5783-2000	Screw M6×25	8	
18	JCPT1523RT-31102	Rod 6	8	
19	GB/T93.1-2000	Circlip 6	8	
20	JCPT1523RT-31120	Centering Link Assembly	4	
21	JCPT1523RT-31007	Bearing F-20215	16	
22	GB/T6182-2000	Nut M10	88	
23	GB/T97.1-2000	Flat Washer 10	88	
24	JCPT1523RT-31142	Spacer	8	
25	GB/T5782-2000	Bolt M10×110	8	
26	JCPT1523RT-31421	Cable Routing Bracket	4	
27	GB/T6182-2000	Nut M8	8	
28	GB/T97.1-2000	Flat Washer8	8	
29	JCPT1523RT-31423	Spacer	8	
30	GB/T5782-2000	Bolt M8×75	8	

Arm Assembly I and Chassis Components(JCPT1523RT)

No.	Parts No.	Description	Qty.	Remark
31	JCPT1523RT-31422	Bush	2	
32	GB/T5783-2000	Bolt M10×85	10	
33	GB/T97.1-2002	Flat Washer 10	10	
34	GB/T6182-2000	Nylock Nut M10	10	
35	JCPT1523RT-31008	Bearing CRG4555-50	16	
36	JCPT1523RT-31003	Spindle End	10	
37	GB/T894-2002	Snap Ring 45	12	
38	JCPT1523RT-31001	Spindle	8	
39	GB/T894-2002	Snap Ring 60	16	
40	JCPT1523RT-31002	Spacer 60	16	
41	JCPT1523RT-31009	Bearing CRG6070-40	16	
42	GB/T6182-2000	Nylock Nut M4	16	
43	TZ-8108	Limit Switch	2	
44	GB/T5782-2000	Bolt M4×30	16	
45	AZ8104	Limit Switch	2	

Arm Assembly I and Chassis Components (JCPT1823RT)



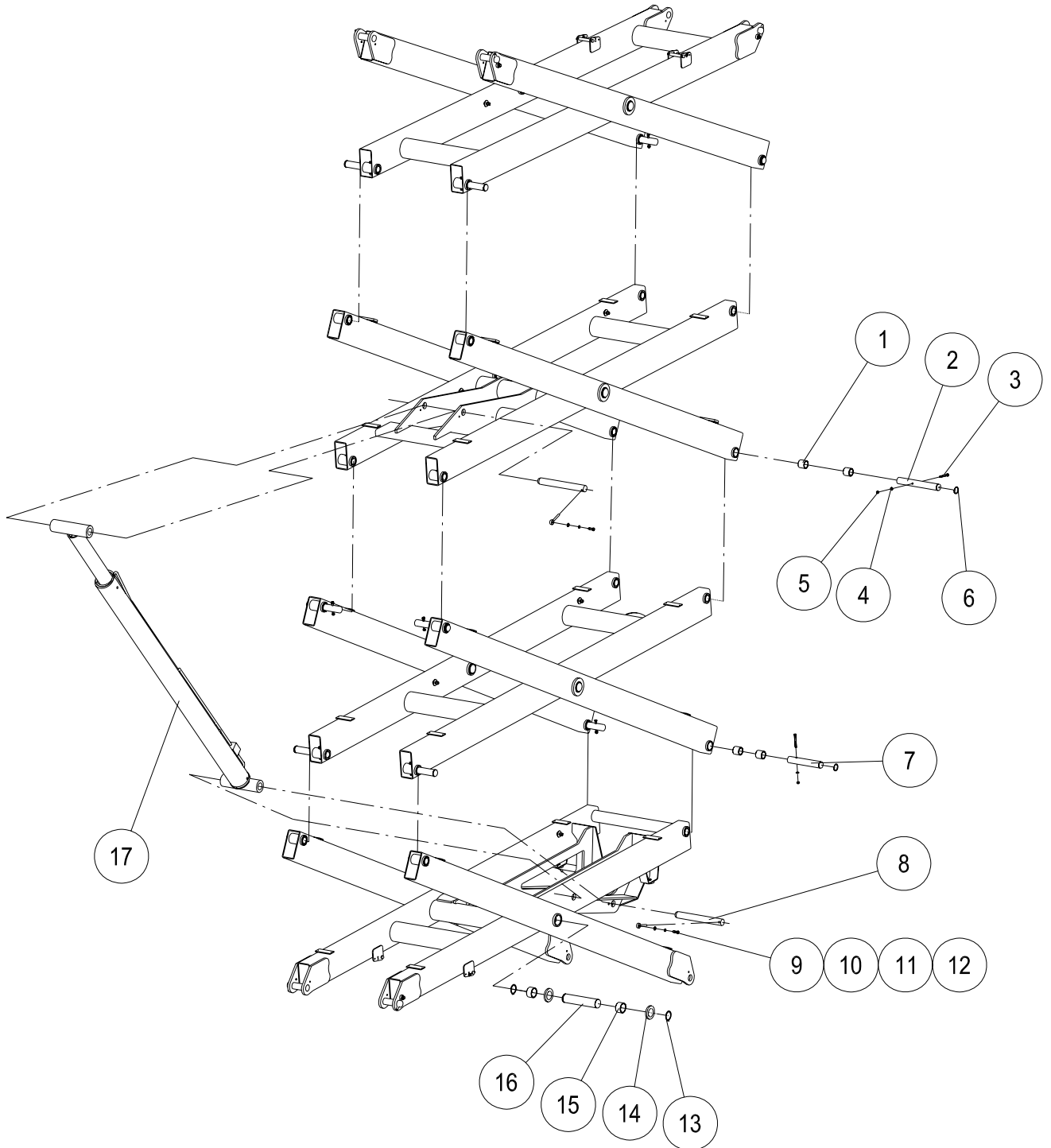
Arm Assembly I and Chassis Components (JCPT1823RT)

No.	Parts No.	Description	Qty.	Remark
1	JCPT1523RT-31800	Outer Arm Assembly I	1	
2	JCPT1523RT-31400	Inner Arm Assembly I	2	
3	JCPT1523RT-31201	Wear Pad	24	
4	GB/T 12617-2006	Rivet 4×25	48	
5	GB/T819-2000	Screw M6×10	16	
6	JCPT1523RT-31105	Wear Pad	16	
7	JCPT1523RT-31130	Link Slider Assembly	8	
8	GB/T6182-2000	Nylock Nut M6	16	
9	JCPT1523RT-31106	Wear Pad	8	
10	GB/T819-2000	Screw M6×40	16	
11	JCPT1523RT-31006	Bearing CRG4555-40	16	
12	JCPT1523RT-31103	Pivot Pin	8	
13	JCPT1523RT-31104	Rod End 12	8	
14	GB/T93.1-2000	Circlip 12	8	
15	GB/T5783-2000	Screw M12×35	8	
16	JCPT1523RT-31101	Pin	8	
17	GB/T5783-2000	Screw M6×25	8	
18	JCPT1523RT-31102	Rod 6	8	
19	GB/T93.1-2000	Circlip 6	8	
20	JCPT1523RT-31120	Centering Link Assembly	4	
21	JCPT1523RT-31007	Bearing F-20215	16	
22	GB/T6182-2000	Nut M10	88	
23	GB/T97.1-2000	Flat Washer 10	88	
24	JCPT1523RT-31142	Spacer	8	
25	GB/T5782-2000	Bolt M10×110	8	
26	JCPT1523RT-31421	Cable Routing Bracket	4	
27	GB/T6182-2000	Nut M8	8	
28	GB/T97.1-2000	Flat Washer8	8	
29	JCPT1523RT-31423	Spacer	8	
30	GB/T5782-2000	Bolt M8×75	8	

Arm Assembly I and Chassis Components(JCPT1823RT)

No.	Parts No.	Description	Qty.	Remark
31	JCPT1523RT-31422	Bush	2	
32	GB/T5783-2000	Bolt M10×85	10	
33	GB/T97.1-2002	Flat Washer 10	10	
34	GB/T6182-2000	Nylock Nut M10	10	
35	JCPT1523RT-31008	Bearing CRG4555-50	16	
36	JCPT1523RT-31003	Spindle End	10	
37	GB/T894-2002	Snap Ring 45	12	
38	JCPT1523RT-31001	Spindle	8	
39	GB/T894-2002	Snap Ring 60	16	
40	JCPT1523RT-31002	Spacer 60	16	
41	JCPT1523RT-31009	Bearing CRG6070-40	16	
42	GB/T6182-2000	Nylock Nut M4	12	
43	TZ-8108	Limit Switch	2	
44	GB/T5782-2000	Bolt M4×30	12	
45	AZ8104	Limit Switch	1	

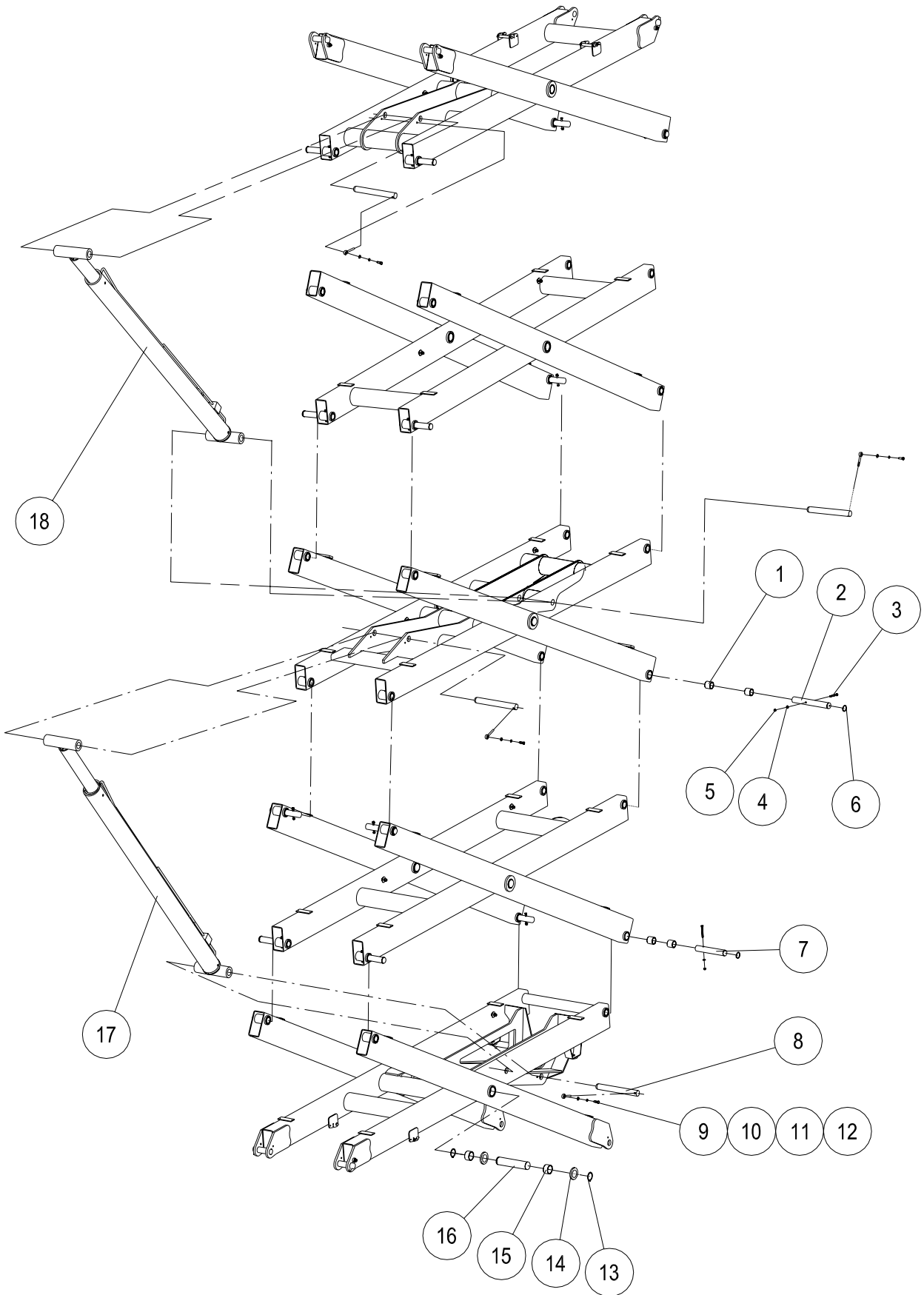
Lift Cylinder Assembly and Scissor Components(JCPT1523RT)



Lift Cylinder Assembly and Scissor Components(JCPT1523RT)

No.	Parts No.	Description	Qty.	Remark
1	JCPT1523RT-31008	Bearing CRG4555-50	24	
2	JCPT1523RT-31303	Pivot Pin	2	
3	GB/T5783-2000	Bolt M10×90	12	
4	GB/T97.1-2000	Flat Washer 12	12	
5	GB/T6182-2000	Nylock Nut M10	12	
6	GB894.1-86	Snap Ring 45	12	
7	JCPT1523RT-31003	Pivot Pin	10	
8	JCPT1523RT-31202	Lift Cylinder Pivot Pin	2	
9	GB/T5783-2000	Bolt M12×35	2	
10	GB/T93.1-2000	Circlip 12	2	
11	GB/T97.1-2000	Flat Washer 12	2	
12	JCPT1523RT-31104	Pin 12	2	
13	GB894.1-86	Snap Ring 60	16	
14	JCPT1523RT-31002	Flat Washer 60	16	
15	JCPT1523RT-31009	Bearing CRG6070-40	16	
16	JCPT1523RT-31001	Pivot Pin	8	
17	JCPT1523RT-53010	Lift Cylinder	1	

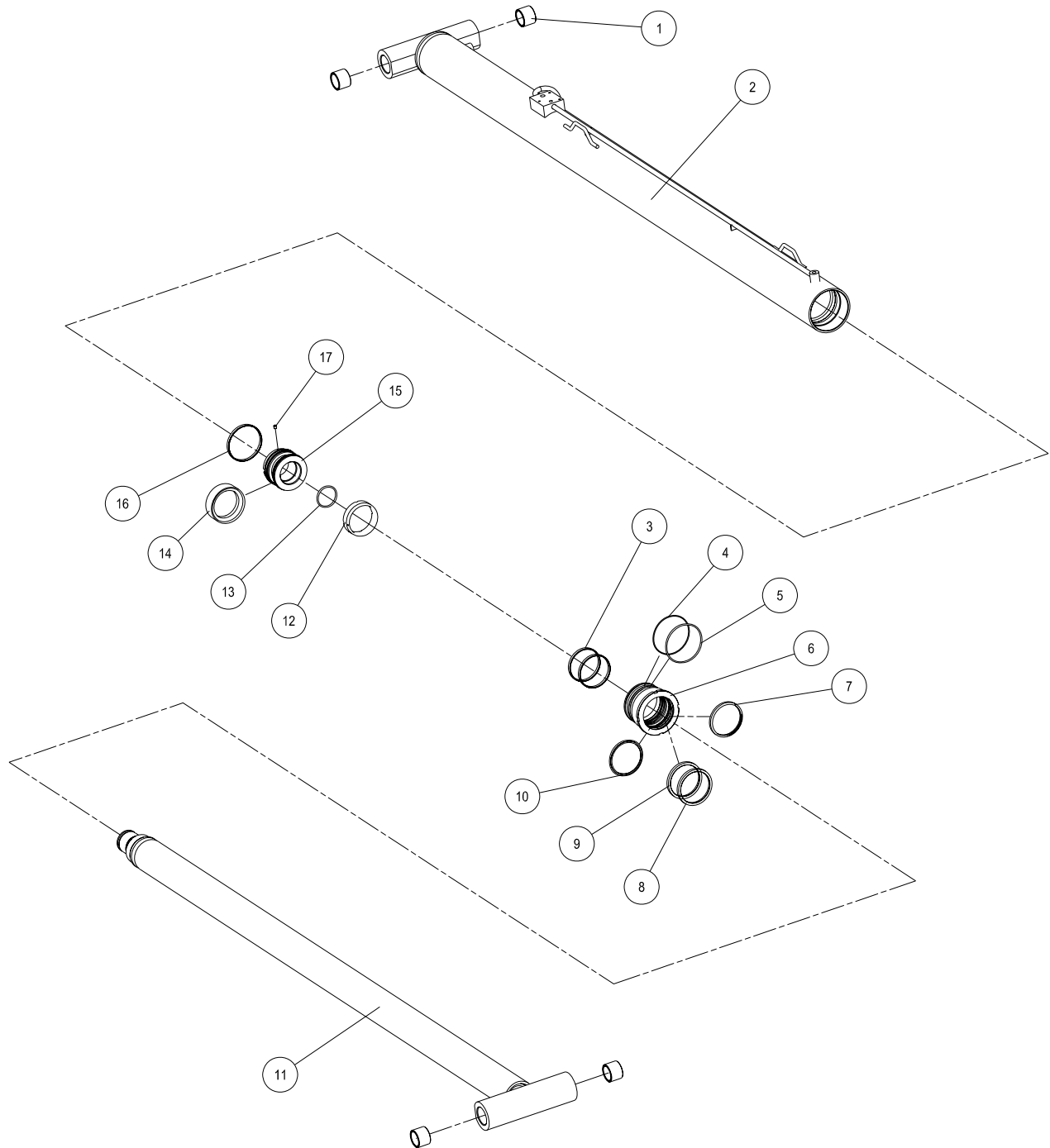
Lift Cylinder Assembly and Scissor Components(JCPT1823RT)



Lift Cylinder Assembly and Scissor Components(JCPT1823RT)

No.	Parts No.	Description	Qty.	Remark
1	JCPT1523RT-31008	Bearing CRG4555-50	32	
2	JCPT1523RT-31303	Pivot Pin	2	
3	GB/T5783-2000	Bolt M10×90	14	
4	GB/T97.1-2000	Flat Washer 12	14	
5	GB/T6182-2000	Nylock Nut M10	14	
6	GB894.1-86	Snap Ring 45	14	
7	JCPT1523RT-31003	Pivot Pin	14	
8	JCPT1523RT-31202	Lift Cylinder Pivot Pin	4	
9	GB/T5783-2000	Bolt M12×35	4	
10	GB/T93.1-2000	Circlip 12	4	
11	GB/T97.1-2000	Flat Washer 12	4	
12	JCPT1523RT-31104	Pin 12	4	
13	GB894.1-86	Snap Ring 60	20	
14	JCPT1523RT-31002	Flat Washer 60	20	
15	JCPT1523RT-31009	Bearing CRG6070-40	20	
16	JCPT1523RT-31001	Pivot Pin	10	
17	JCPT1523RT-53200	Lift Cylinder	1	
18	JCPT1823RT-53300	Upper Lift Cylinder	1	

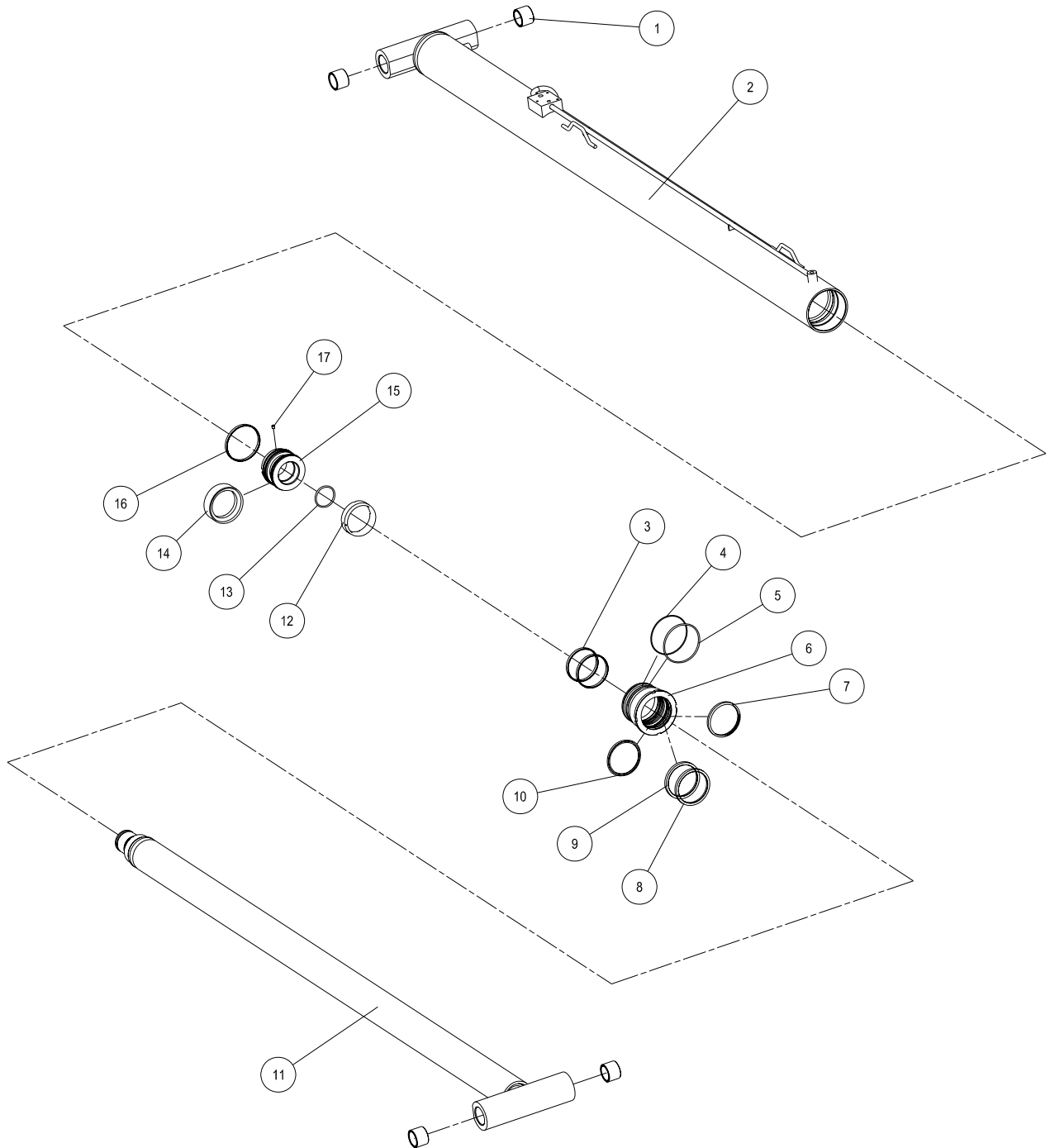
Lift Cylinder Assembly(JCPT1523RT)



Lift Cylinder Assembly(JCPT1523RT)

No.	Parts No.	Description	Qty.	Remark
1	JCPT1523RT-53204	Bearing 45	4	45×55-40
2	JCPT1523RT-53210	Barrel Weldment	1	
3	d100×9.4×2.5	Ring, Back-Up	2	
4	GB1235-76	Seal , O-Ring 125×3.1	1	
5	GB1235-76	Seal , O-Ring 125×5.7	1	
6	JCPT1523RT-53203	Head	1	
7	LBH100×110×6/8	Seal	1	
8	d100×φ 115×3	Spacer	1	
9	ISI100×115×9	Seal	1	
10	GS55013-1000	Seal Assembly d100-6.3	1	
11	JCPT1523RT-53220	Rod Weldment	1	
12	JCPT1523RT-53202	Spacer	1	
13	P60	Seal, O-Ring59.6×5.7	1	
14	D115×90-22.4	Seal Assembly	1	
15	JCPT1523RT-53201	Piston	1	
16	D115×9.4×2.5	Ring, Back-Up	1	
17	JGB79-85	Set Screw M8×10	1	

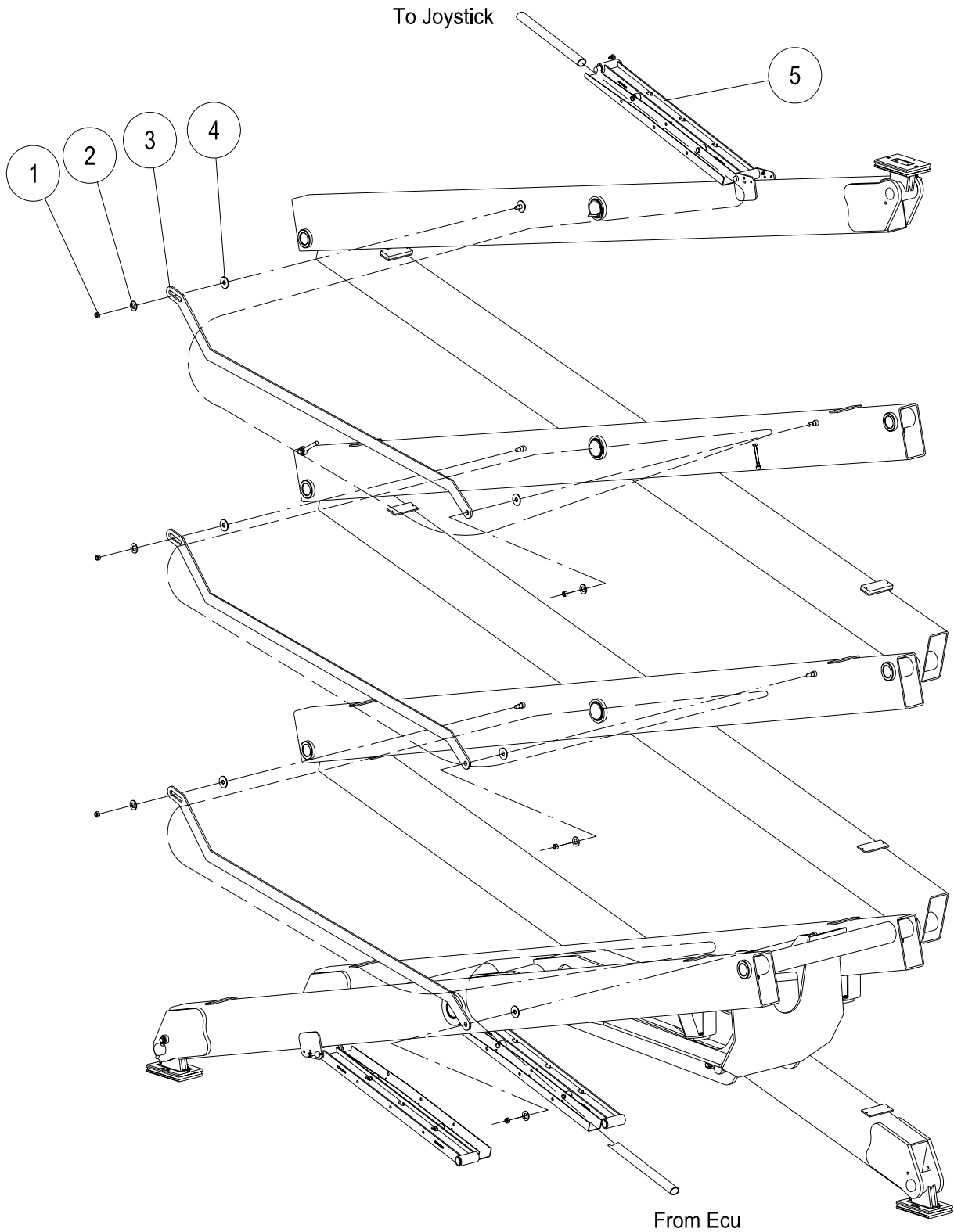
Lift Cylinder Assembly(JCPT1823RT)



Lift Cylinder Assembly(JCPT1823RT)

No.	Parts No.	Description	Qty.	Remark
1	JCPT1523RT-53204	Bearing 45	4	45×55-40
2	JCPT1823RT-53310	Barrel Weldment	1	
3	d100×9.4×2.5	Ring, Back-Up	2	
4	GB1235-76	Seal , O-Ring 125×3.1	1	
5	GB1235-76	Seal , O-Ring 125×5.7	1	
6	JCPT1523RT-53303	Head	1	
7	LBH100×110×6/8	Seal	1	
8	d100× φ 115×3	Spacer	1	
9	ISI100×115×9	Seal	1	
10	GS55013-1000	Seal Assembly d100-6.3	1	
11	JCPT1823RT-53320	Rod Weldment	1	
12	JCPT1523RT-53302	Spacer	1	
13	P60	Seal, O-Ring 59.6×5.7	1	
14	D115×90-22.4	Seal Assembly	1	
15	JCPT1523RT-53301	Piston	1	
16	D115×9.4×2.5	Ring, Back-Up	1	
17	JGB79-85	Set Screw M8×10	1	

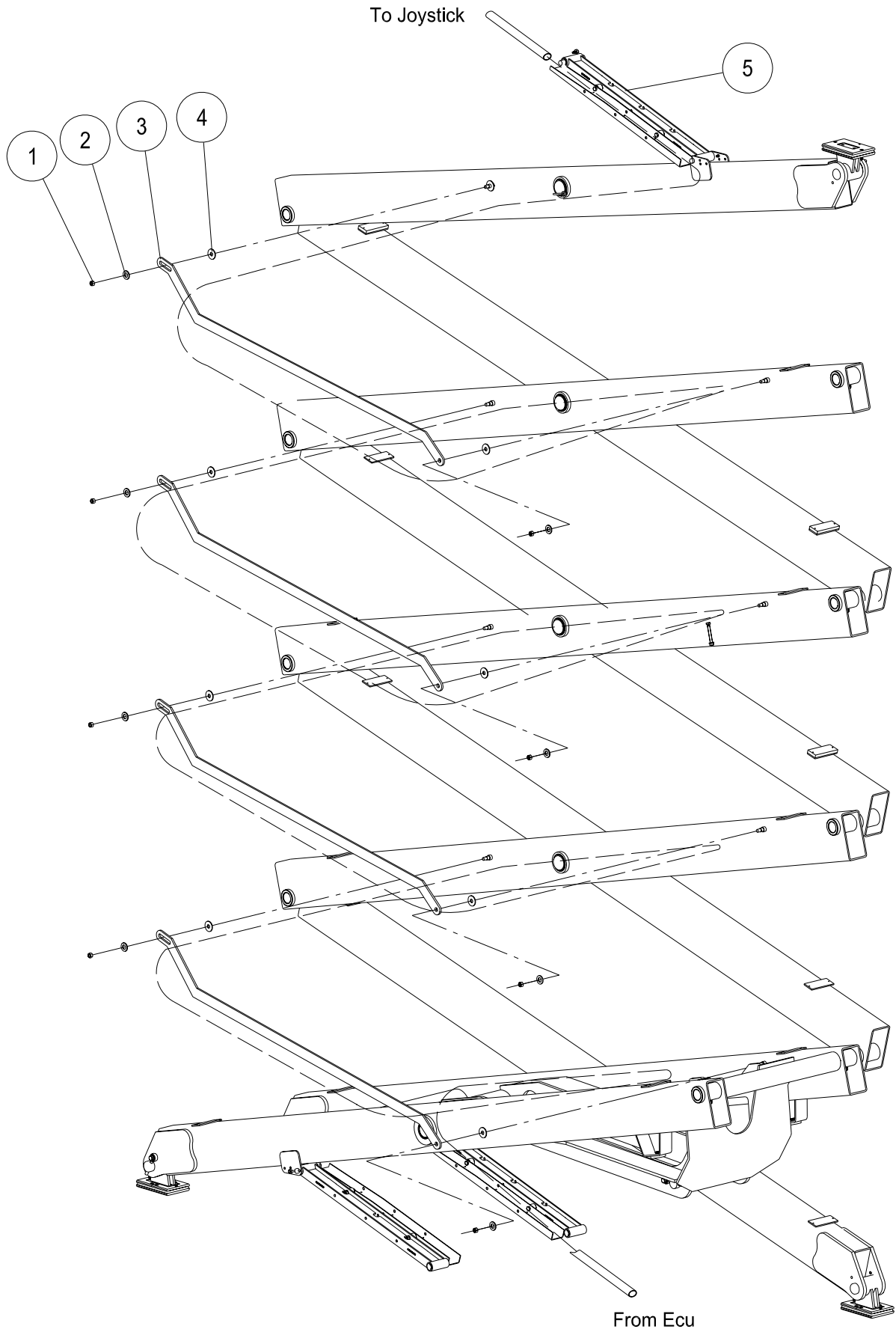
Cable Bracket Assembly and Scissor Components(JCPT1523RT)



Cable Bracket Assembly and Scissor Components(JCPT1523RT)

No.	Parts No.	Description	Qty.	Remark
1	GB/T6182-2000	Nylcok Nut M12	6	
2	GB/T96.2-2002	Flat Washer 12	6	
3	JCPT1523RT-31005	Cable Bracket	3	
4	GB/T96.2-2002	Flat Washer 14	6	
5	JCPT1523RT-31120	Centering Link Assembly	3	

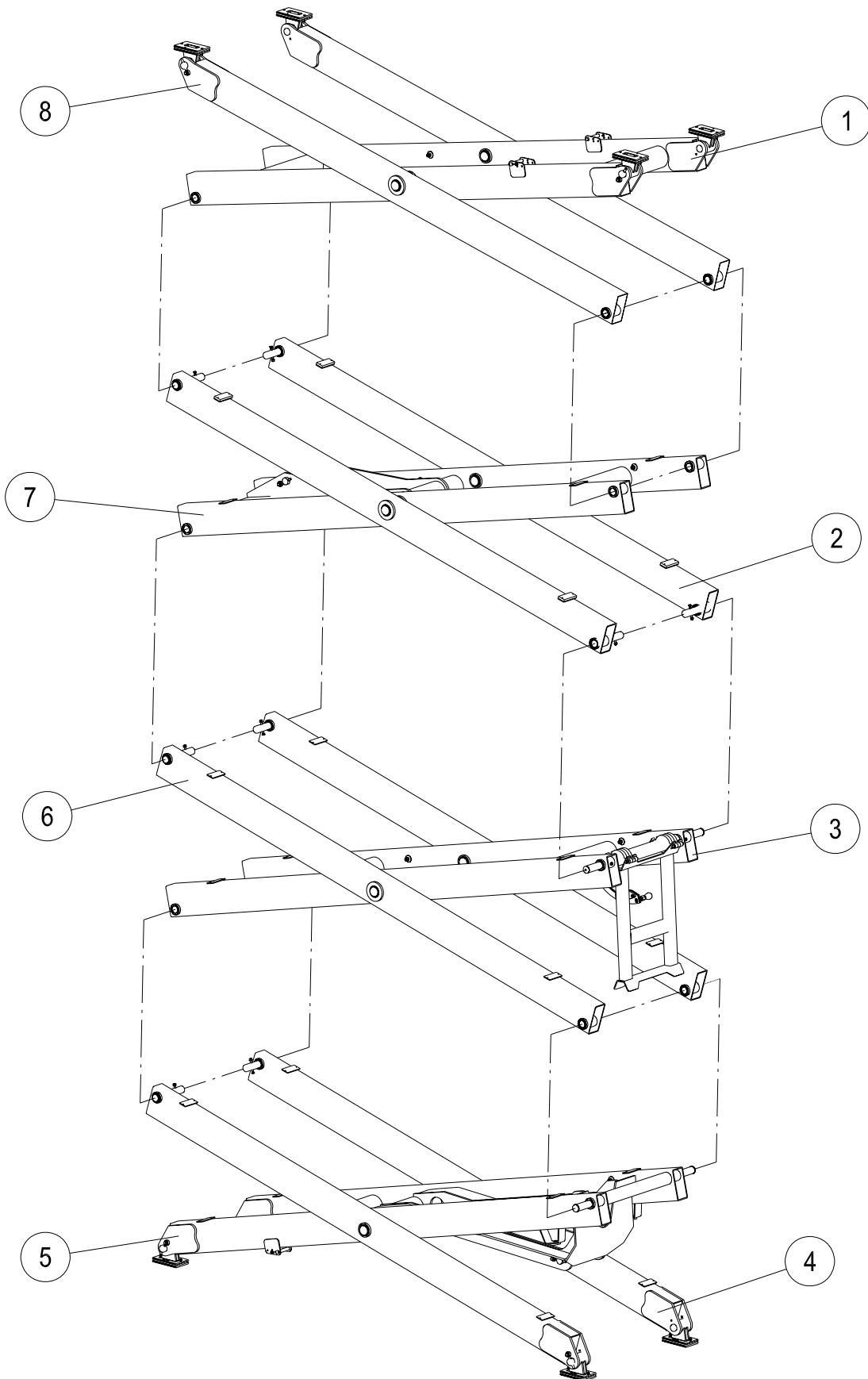
Cable Bracket Assembly and Scissor Components(JCPT1823RT)



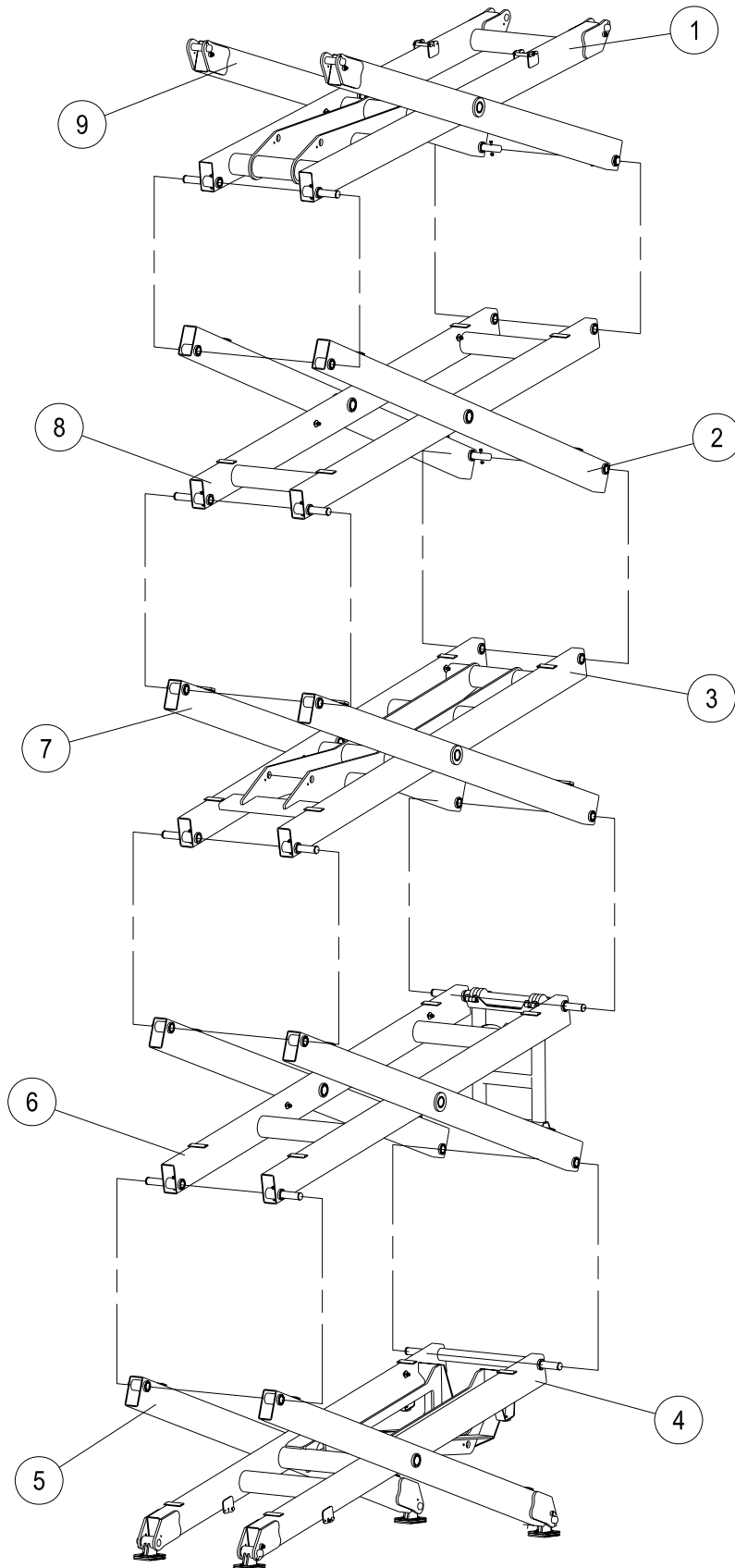
Cable Bracket Assembly and Scissor Components(JCPT1823RT)

No.	Parts No.	Description	Qty.	Remark
1	GB/T6182-2000	Nylcok Nut M12	8	
2	GB/T96.2-2002	Flat Washer 12	8	
3	JCPT1523RT-31005	Cable Bracket	4	
4	GB/T96.2-2002	Flat Washer 14	8	
5	JCPT1523RT-31120	Centering Link Assembly	3	

Scissor Components(JCPT1523RT)



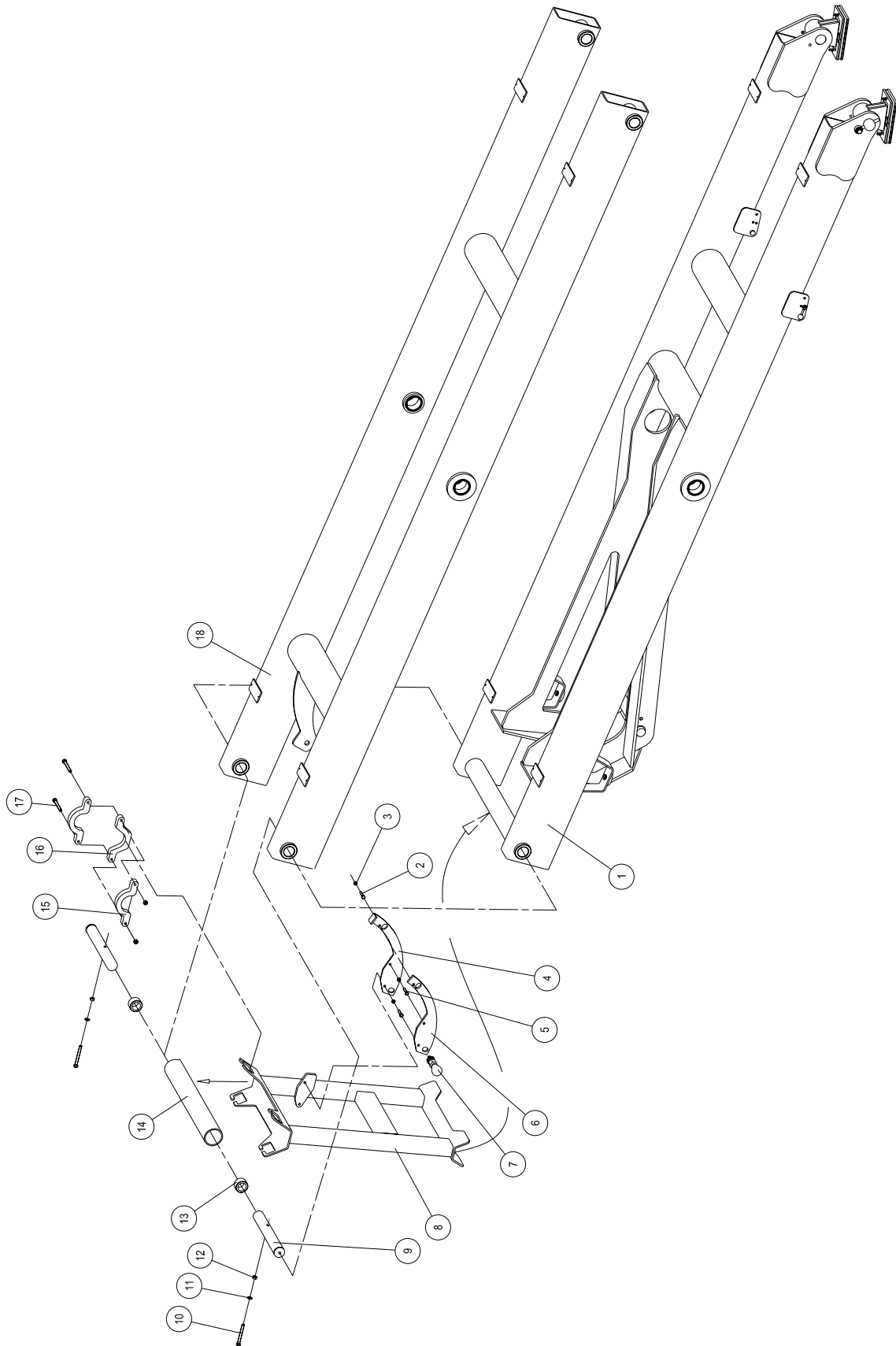
Scissor Components(JCPT1823RT)



Scissor Components(JCPT1823RT)

No.	Parts No.	Description	Qty.	Remark
1	JCPT1823RT-31100	Inner Arm Assembly V	1	
2	JCPT1523RT-31700	Outer Arm Assembly II	4	
3	JCPT1823RT-31300	Inner Arm Assembly III	1	
4	JCPT1523RT-31400	Inner Arm Assembly I	1	
5	JCPT1523RT-31800	Outer Arm Assembly I	2	
6	JCPT1523RT-31300	Inner Arm Assembly II	1	
7	JCPT1523RT-31600	Outer Arm Assembly III	2	
8	JCPT1823RT-31200	Inner Arm Assembly IV	1	
9	JCPT1523RT-31500	Outer Arm Assembly V	2	

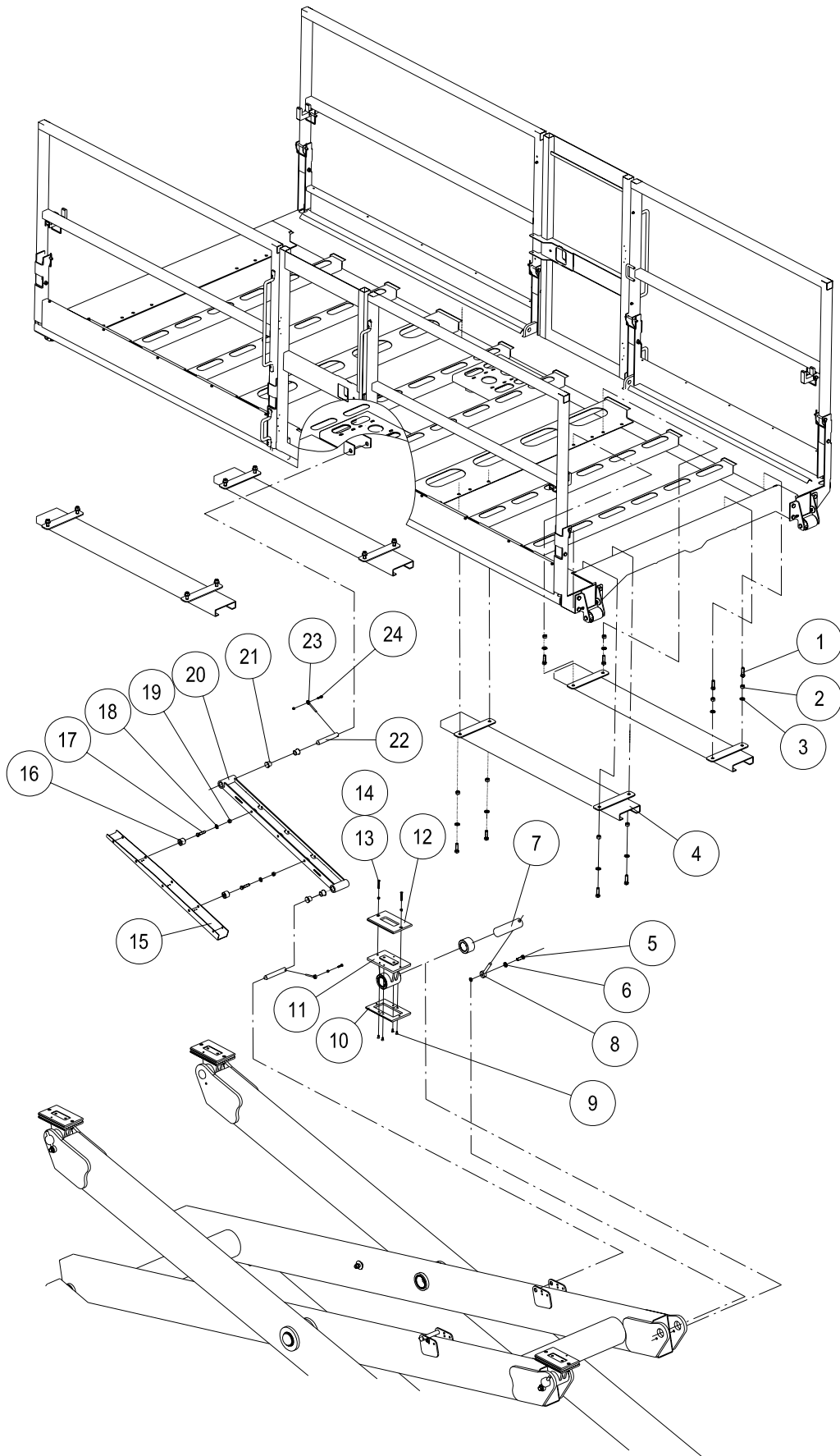
Safety Arm Components



Safety Arm Components

No.	Parts No.	Description	Qty.	Remark
1	JCPT1523RT-31400	Inner Arm I Assembly	1	
2	GB/T5783-2000	Bolt M8×30	1	
3	GB/T6182-2000	Nylock Nut M8	3	
4	JCPT1523RT-31304	Wear Pad Mounting Plate	1	
5	GB/T5783-2000	Bolt M8×40	2	
6	JCPT1523RT-31305	Wear Pad-Safety-Arm Latch	1	
7	JCPT1523RT-31320	Lock Pin Assembly	1	
8	JCPT1523RT-31330	Safety Arm	1	
9	JCPT1523RT-31303	Pivot Pin	2	
10	GB/T5782-2000	Bolt M10×90	2	
11	GB/T97.1-2000	Flat Washer 10	2	
12	GB/T6182-2000	Nylock Nut M10	6	
13	JCPT1523RT-31402	Bearing 4545	2	
14	JCPT1523RT-31340	Safety Arm Mount Assembly	1	
15	JCPT1523RT-31302	Safety Arm Retainer, Top	4	
16	JCPT1523RT-31301	Safety Arm Retainer, Bottom	2	
17	GB/T5782-2000	Bolt M10×95	4	
18	JCPT1523RT-31310	Inner Arm II Assembly	1	

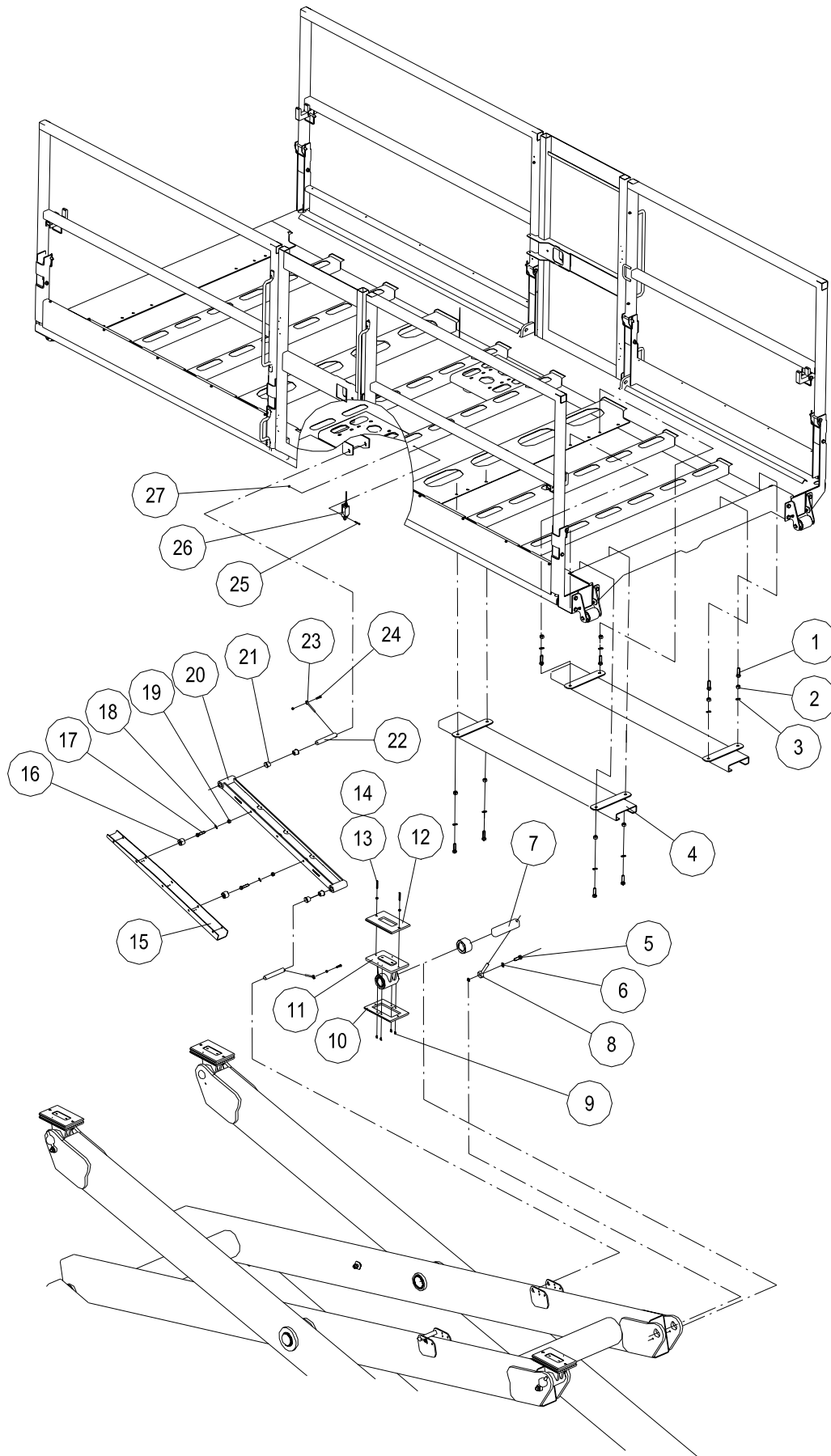
Platform Installation (JCPT1523RT)



Platform Installation (JCPT1523RT)

No.	Parts No.	Description	Qty.	Remark
1	GB/T5783-2000	Bolt M12×40	16	
2	GB/T6182-2000	Flat Washer 12	16	
3	GB/T97.1-2000	Nylock Nut M12	16	
4	JCPT1523RT-31900	Slider Channel Up Date Kit	4	
5	GB/T5783-2000	Bolt M12×35	4	
6	GB/T93.1-2000	Circlip 12	4	
7	JCPT1523RT-31103	Pivot Pin	4	
8	JCPT1523RT-31104	Rod End 12	4	
9	GB/T819-2000	Screw M6×10	4	
10	JCPT1523RT-31105	Wear Pad	4	
11	JCPT1523RT-31130	Link Slider Assembly	4	
12	JCPT1523RT-31106	Wear Pad	4	
13	GB/T6182-2000	Nylock Nut M6	12	
14	GB/T819-2000	Screw M6×40	8	
15	JCPT1523RT-31141	Cable Routing Bracket	1	
16	JCPT1523RT-31142	Spacer	2	
17	GB/T5783-2000	Bolt M10×45	2	
18	GB/T97.1-2000	Flat Washer 10	2	
19	GB/T6182-2000	Nut M10	2	
20	JCPT1523RT-31120	Centering Link Assembly	1	
21	JCPT1523RT-31007	Bearing F-20215	8	
22	JCPT1523RT-31101	Pin	4	
23	JCPT1523RT-31102	Rod 6	4	
24	GB/T5783-2000	Bolt M6×25	4	

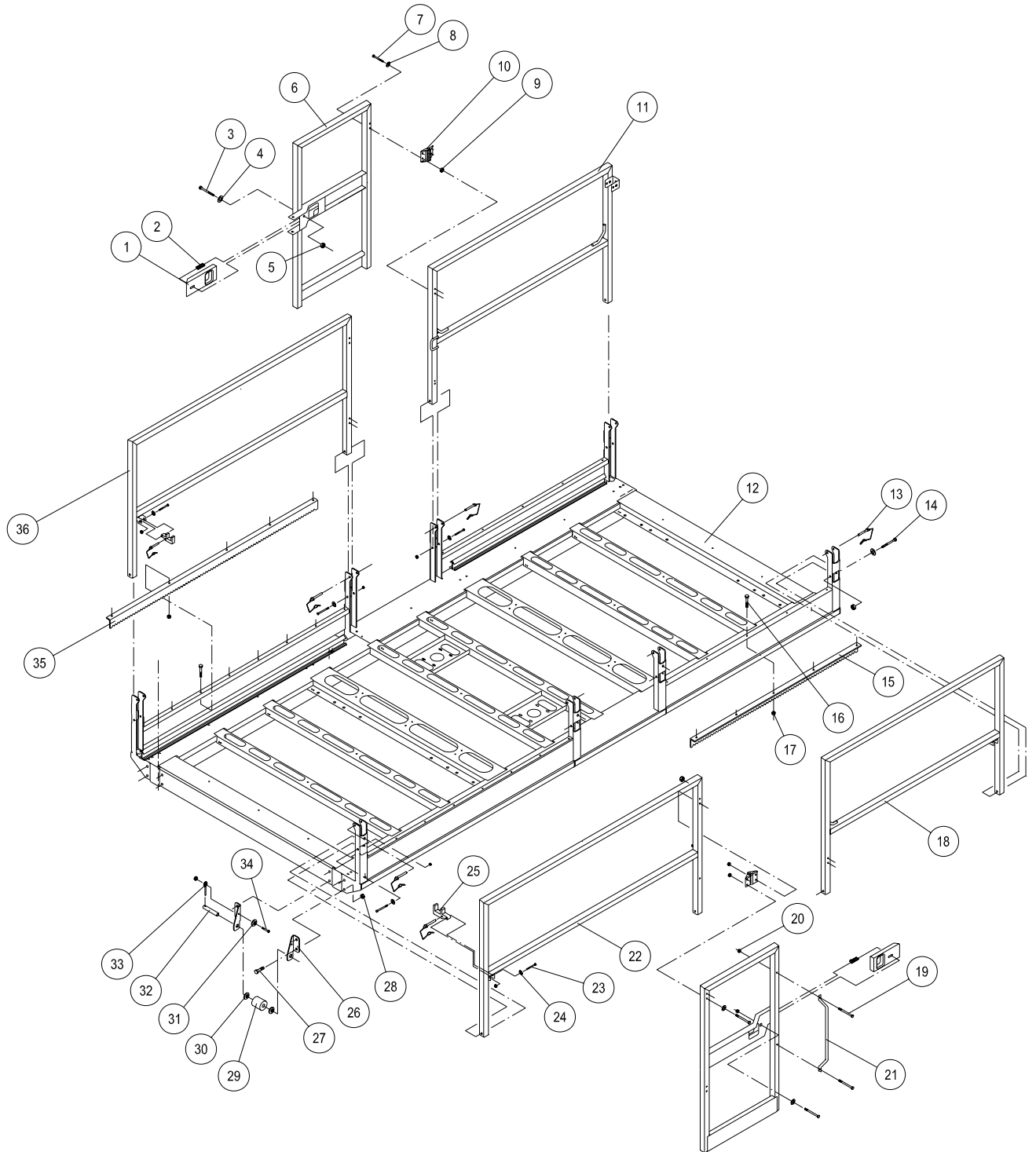
Platform Installation (JCPT1823RT)



Platform Installation (JCPT1823RT)

No.	Parts No.	Description	Qty.	Remark
1	GB/T5783-2000	Bolt M12×40	16	
2	GB/T6182-2000	Flat Washer 12	16	
3	GB/T97.1-2000	Nylock Nut M12	16	
4	JCPT1523RT-31900	Slider Channel Up Date Kit	4	
5	GB/T5783-2000	Bolt M12×35	4	
6	GB/T93.1-2000	Circlip 12	4	
7	JCPT1523RT-31103	Pivot Pin	4	
8	JCPT1523RT-31104	Rod End 12	4	
9	GB/T819-2000	Screw M6×10	4	
10	JCPT1523RT-31105	Wear Pad	4	
11	JCPT1523RT-31130	Link Slider Assembly	4	
12	JCPT1523RT-31106	Wear Pad	4	
13	GB/T6182-2000	Nylock Nut M6	12	
14	GB/T819-2000	Screw M6×40	8	
15	JCPT1523RT-31141	Cable Routing Bracket	1	
16	JCPT1523RT-31142	Spacer	2	
17	GB/T5783-2000	Bolt M10×45	2	
18	GB/T97.1-2000	Flat Washer 10	2	
19	GB/T6182-2000	Nut M10	2	
20	JCPT1523RT-31120	Centering Link Assembly	1	
21	JCPT1523RT-31007	Bearing F-20215	8	
22	JCPT1523RT-31101	Pin	4	
23	JCPT1523RT-31102	Rod 6	4	
24	GB/T5783-2000	Bolt M6×25	4	
25	GB/T5782-2000	Bolt M4×30	4	
26	TZ-8111	Limit Switch	1	
27	GB/T6182-2000	Nylock Nut M4	4	

Platform Rails and Entry Gates Installation



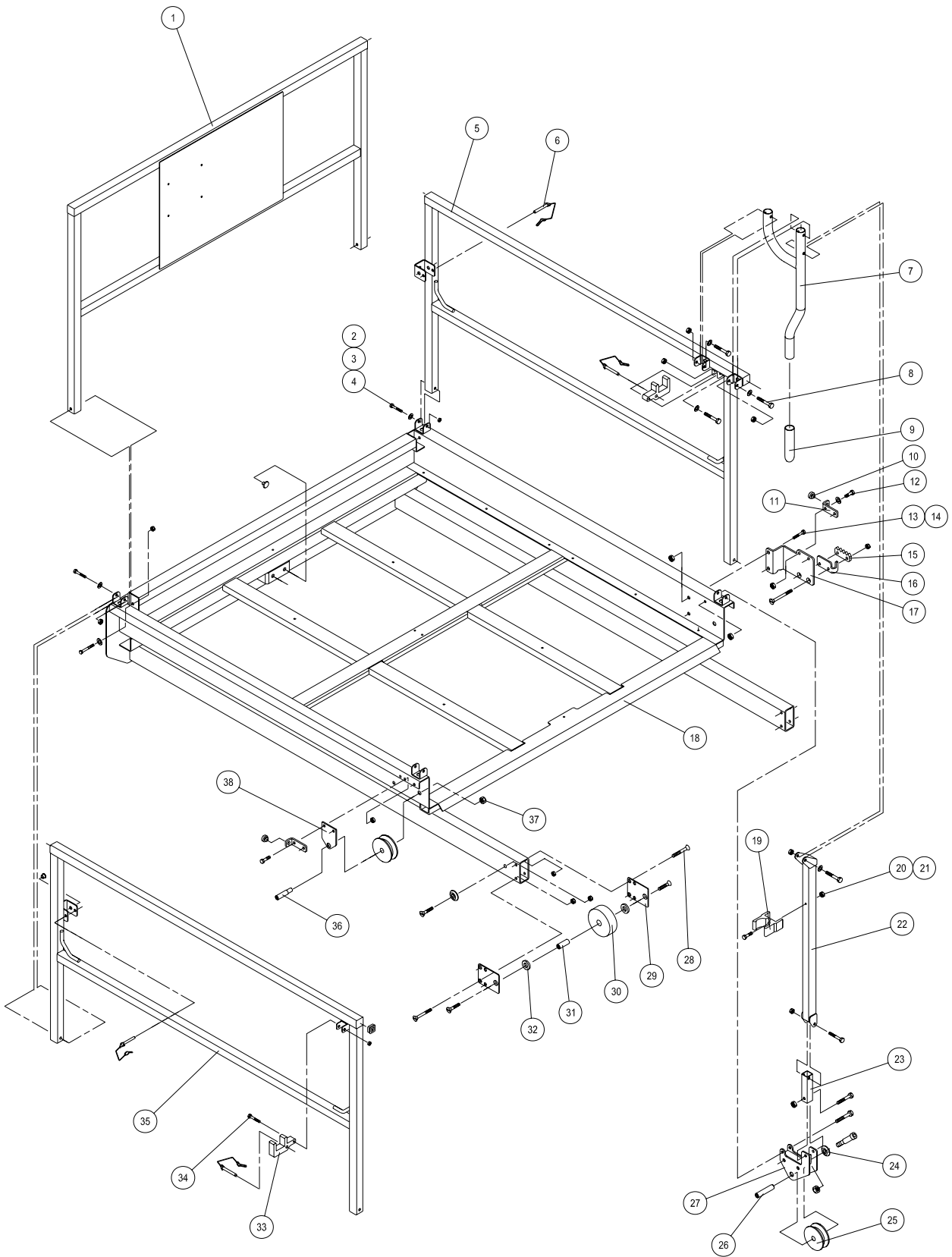
Platform Rails and Entry Gates Installation

No.	Parts No.	Description	Qty.	Remark
1	JCPT1523RT-41501	Entry Gate Latch	2	
2	JCPT1523RT-41502	Entry Gate Latch Spring	2	
3	GB/T5782-2000	Bolt M10×45	2	
4	GB/T97.1-2000	Flat Washer 10	10	
5	GB/T6182-2000	Nylock Nut M10	10	
6	JCPT1523RT-41510	Entry Gate Assembly With Latch	2	
7	GB819-85	Screw M5×50	16	
8	GB/T97.1-2000	Flat Washer 5	16	
9	GB/T6182-2000	Nylock Nut M5	16	
10	GB/T1738-93	Entry Gate Hinge	4	
11	JCPT1523RT-41430	Side Rail Assembly With Decals (Ground Controls Side, Rear)	1	
12	JCPT1523RT-41320	Platform Deck Assembly	1	
13	JCPT1523RT-41230	Wire Lock Pin	8	
14	GB/T5782-2000	Bolt M10×65	8	
15	JCPT1523RT-41302	Platform Extension Lock Tooth Rail, Rear	1	
16	GB/T5783-2000	Bolt M6×16	10	
17	GB/T6182-2000	Nylock Nut M6	14	
18	JCPT1523RT-41410	Side Rail Assembly With Decals (Hydraulic Tank Side, Rear)	1	
19	GB/T5782-2000	Bolt M6×45	8	
20	GB/T6182-2000	Nylock Nut M6	12	
21	JCPT1523RT-41401	Grab Handle	4	
22	JCPT1523RT-41420	Side Rail Assembly With Decals (Hydraulic Tank Side, Front)	1	
23	GB/T5783-2000	Bolt M6×40	4	
24	GB/T97.1-2000	Flat Washer 6	4	
25	JCPT1523RT-41202	Rail Spacer	4	
26	JCPT1523RT-41304	Roller Bracket	8	
27	GB/T5783-2000	Bolt M12×25	16	
28	GB/T6182-2000	Nylock Nut M12	16	
29	JCPT1523RT-41307	Platform Extension Roller	4	
30	JCPT1523RT-41305	Roller Spacer	8	

Platform Rails and Entry Gates Installation

No.	Parts No.	Description	Qty.	Remark
31	JCPT1523RT-41309	Plastic Bumper	8	
32	JCPT1523RT-41306	Roller Pin	4	
33	JCPT1523RT-31102	Rod End ϕ 6	4	
34	GB/T69	Screw M6 \times 25	4	
35	JCPT1523RT-41303	Platform Extension Lock Tooth Rail, (Front)	1	
36	JCPT1523RT-41440	Side Rail Assembly With Decals (Ground Controls Side, Front)	1	

Front Platform Extension Deck



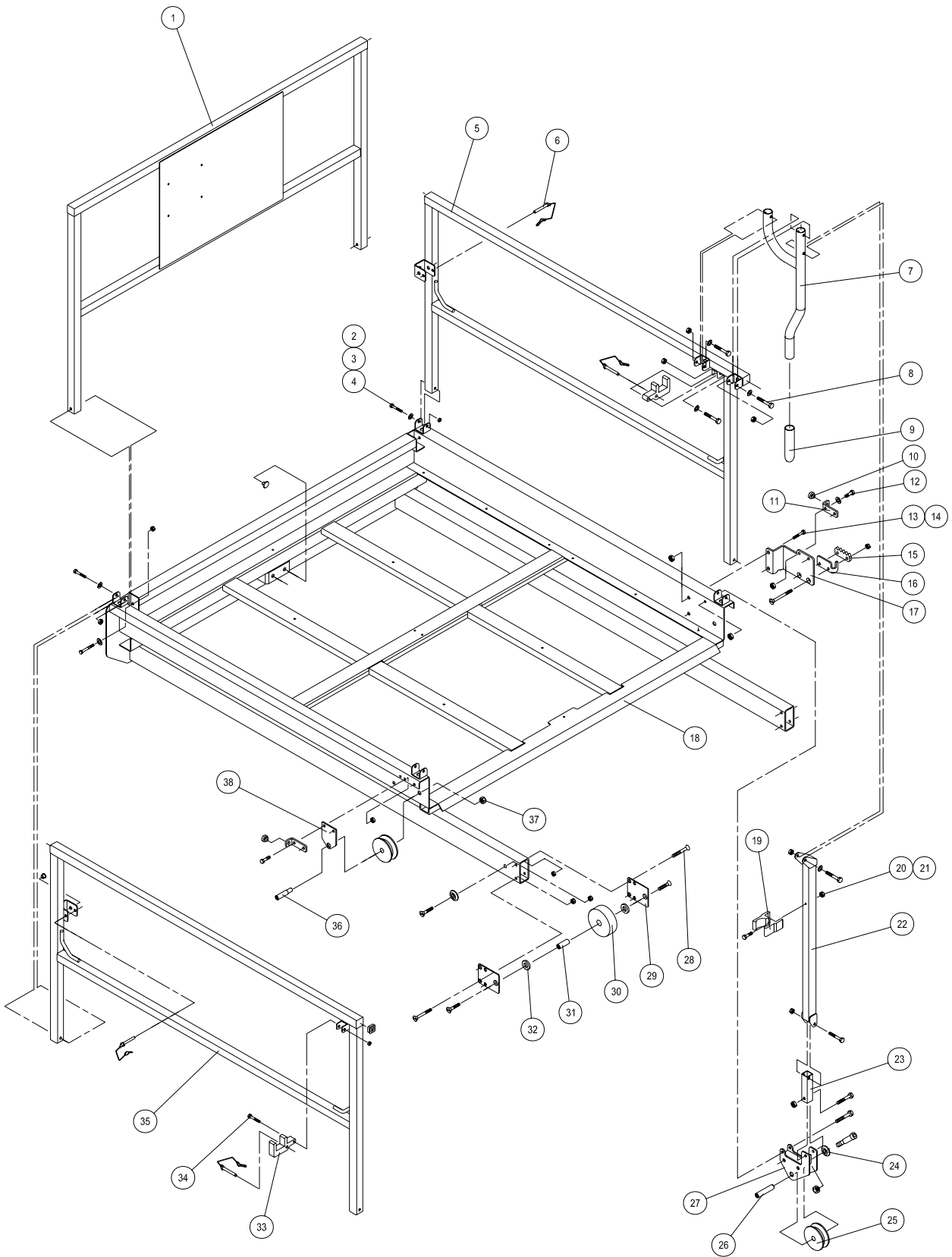
Front Platform Extension Deck

No.	Parts No.	Description	Qty.	Remark
1	JCPT1523RT-41220	Platform Extension Deck, Rail Assembly With Decals	1	
2	GB/T5783-2000	Bolt M10×65	6	
3	GB/T97.1-2000	Flat Washer 10	6	
4	GB/T6182-2000	Nylock Nut M10	6	
5	JCPT1523RT-41710	Side Rail Assembly Platform Extension (Ground Controls Side, Front)	1	
6	JCPT1523RT-41230	Wire Lock Pin	4	
7	JCPT1523RT-41810	Lock Handle Assembly	1	
8	GB/T5782-2000	Bolt M10×60	4	
9	JCPT1523RT-41813	Hand Grip	1	
10	JCPT1523RT-41101	Rubber Bumper	3	
11	JCPT1523RT-41103	Platform Extension Stop	1	
12	GB/T5783-2000	Bolt M10×30	2	
13	GB/T2673-2000	Screw M8×30	2	
14	GB/T6182-2000	Nylock Nut M12	2	
15	JCPT1523RT-41109	Platform Extension Lock Rack	1	
16	JCPT1523RT-41108	Platform Extension Lock Rack Spacer	1	
17	JCPT1523RT-41107	Platform Extension Lock Rack Bracket	1	
18	JCPT1523RT-41610	Platform Extension Assembly	1	
19	JCPT1523RT-41201	Lock Handle Clip	1	
20	GB/T6182-2000	Nylock Nut M6	1	
21	GB/T5783-2000	Bolt M6×55	1	
22	JCPT1523RT-41820	Platform Lock Rod	1	
23	JCPT1523RT-41801	Extension Tube, Platform Extension Lock Rod	1	
24	JCPT1523RT-41112	Plastic Bumper	4	
25	JCPT1523RT-41110	Wheel, V-Roller	2	
26	JCPT1523RT-41111	Extension Roller Wheel Pin	1	
27	JCPT1523RT-41150	Roller Wheel Mount	1	
28	GB/T2673-2000	Screw M8×16	8	
29	JCPT1523RT-41104	Platform Extension Roller Mount Plate	4	
30	JCPT1523RT-41115	Platform Extension Roller Wheel	2	

Front Platform Extension Deck

No.	Parts No.	Description	Qty.	Remark
31	JCPT1523RT-41105	Extension Roller Wheel Pin	2	
32	JCPT1523RT-41106	Plastic Spacer	4	
33	JCPT1523RT-41202	Platform Railing Spacer	2	
34	GB/T5783-2000	Bolt M6×40	2	
35	JCPT1523RT-41720	Side Rail Assembly With Decals Platform Extension(Hydraulic Tank Side, Front)	1	
36	JCPT1523RT-41114	Roller Wheel Pin	1	
37	GB/T6182-2000	Nylock Nut M16	1	
38	JCPT1523RT-41113	Roller Wheel Mounting Bracket	1	

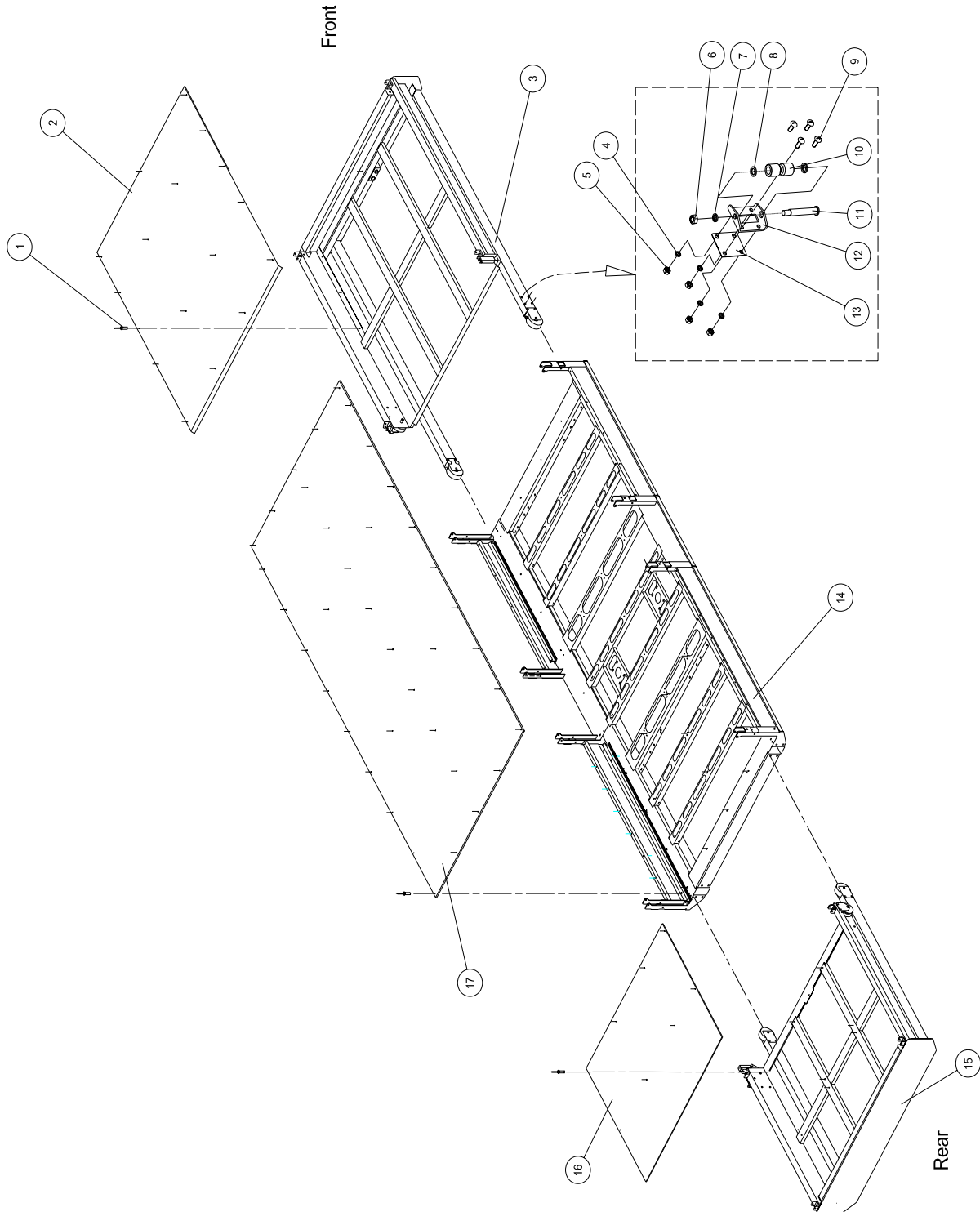
Rear Platform Extension Deck



Rear Platform Extension Deck

No.	Parts No.	Description	Qty.	Remark
1	JCPT1523RT-41220	Platform Extension Deck, Rail Assembly With Decals	1	
2	GB/T5783-2000	Bolt M10×65	6	
3	GB/T97.1-2000	Flat Washer 10	6	
4	GB/T6182-2000	Nylock Nut M10	6	
5	JCPT1523RT-41240	Side Rail Assembly Platform Extension (Hydraulic Tank Side, Rear)	1	
6	JCPT1523RT-41230	Wire Lock Pin	4	
7	JCPT1523RT-41810	Lock Handle Assembly	1	
8	GB/T5782-2000	Bolt M10×60	4	
9	JCPT1523RT-41813	Hand Grip	1	
10	JCPT1523RT-41101	Rubber Bumper	3	
11	JCPT1523RT-41103	Platform Extension Stop	1	
12	GB/T5783-2000	Bolt M10×30	2	
13	GB/T2673-2000	Screw M8×30	2	
14	GB/T6182-2000	Nylock Nut M12	2	
15	JCPT1523RT-41109	Platform Extension Lock Rack	1	
16	JCPT1523RT-41108	Platform Extension Lock Rack Spacer	1	
17	JCPT1523RT-41107	Platform Extension Lock Rack Bracket	1	
18	JCPT1523RT-41100	Platform Extension Assembly	1	
19	JCPT1523RT-41201	Lock Handle Clip	1	
20	GB/T6182-2000	Nylock Nut M6	1	
21	GB/T5783-2000	Bolt M6×55	1	
22	JCPT1523RT-41820	Platform Lock Rod	1	
23	JCPT1523RT-41801	Extension Tube, Platform Extension Lock Rod	1	
24	JCPT1523RT-41112	Plastic Bumper	4	
25	JCPT1523RT-41110	Wheel, V-Roller	2	
26	JCPT1523RT-41111	Extension Roller Wheel Pin	1	
27	JCPT1523RT-41150	Roller Wheel Mount	1	
28	GB/T2673-2000	Screw M8×16	8	
29	JCPT1523RT-41104	Platform Extension Roller Mount Plate	4	
30	JCPT1523RT-41115	Platform Extension Roller Wheel	2	

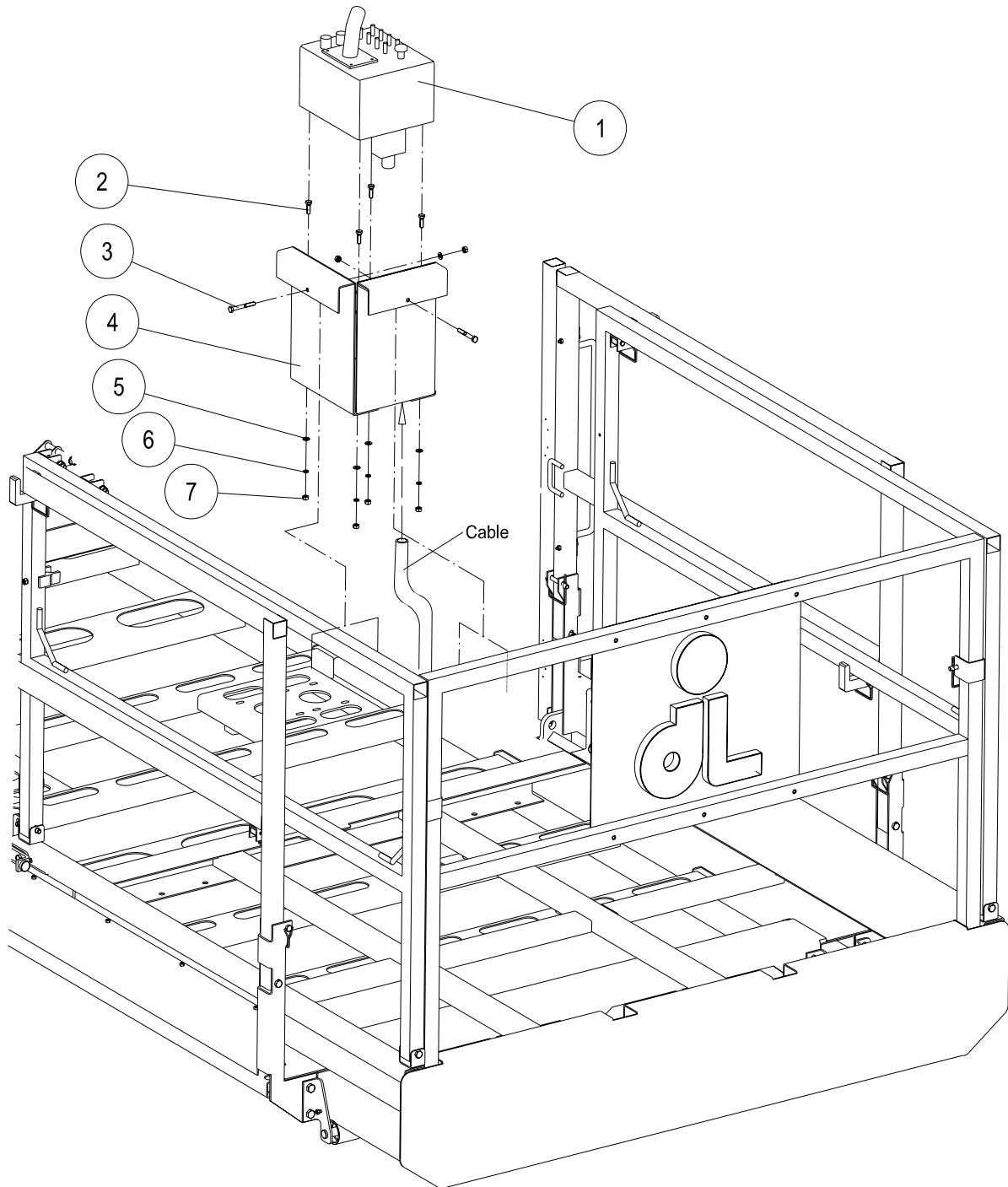
Platform Floor Installation and Side Roller Installation



Platform Floor Installation and Side Roller Installation

No.	Parts No.	Description	Qty.	Remark
1	GB/T2618-2006	Steel Rivet 4×12	129	
2	JCPT1523RT-41601	Platform Extension Floor, Front	1	
3	JCPT1523RT-41600	Platform Extension Assembly, Front	1	
4	GB/T97.1-2000	Flat Washer 6	32	
5	GB/T6182-2000	Nylock Nut M6	32	
6	GB/T6182-2000	Nylock Nut M6	8	
7	GB/T97.1-2000	Flat Washer 8	8	
8	JCPT1523RT-41163	Roller Spacer 10	16	
9	GB818-85	Screw M6×15	32	
10	JCPT1523RT-41161	Roller	8	
11	JCPT1523RT-41162	Roller Pin	8	
12	JCPT1523RT-41164	Roller Bracket	8	
13	JCPT1523RT-41165	Spacer	8	
14	JCPT1523RT-41300	Platform Deck Assembly	1	
15	JCPT1523RT-41100	Platform Extension Assembly, Rear	1	
16	JCPT1523RT-41102	Platform Extension Floor, Rear	1	
17	JCPT1523RT-41301	Main Platform Floor	1	

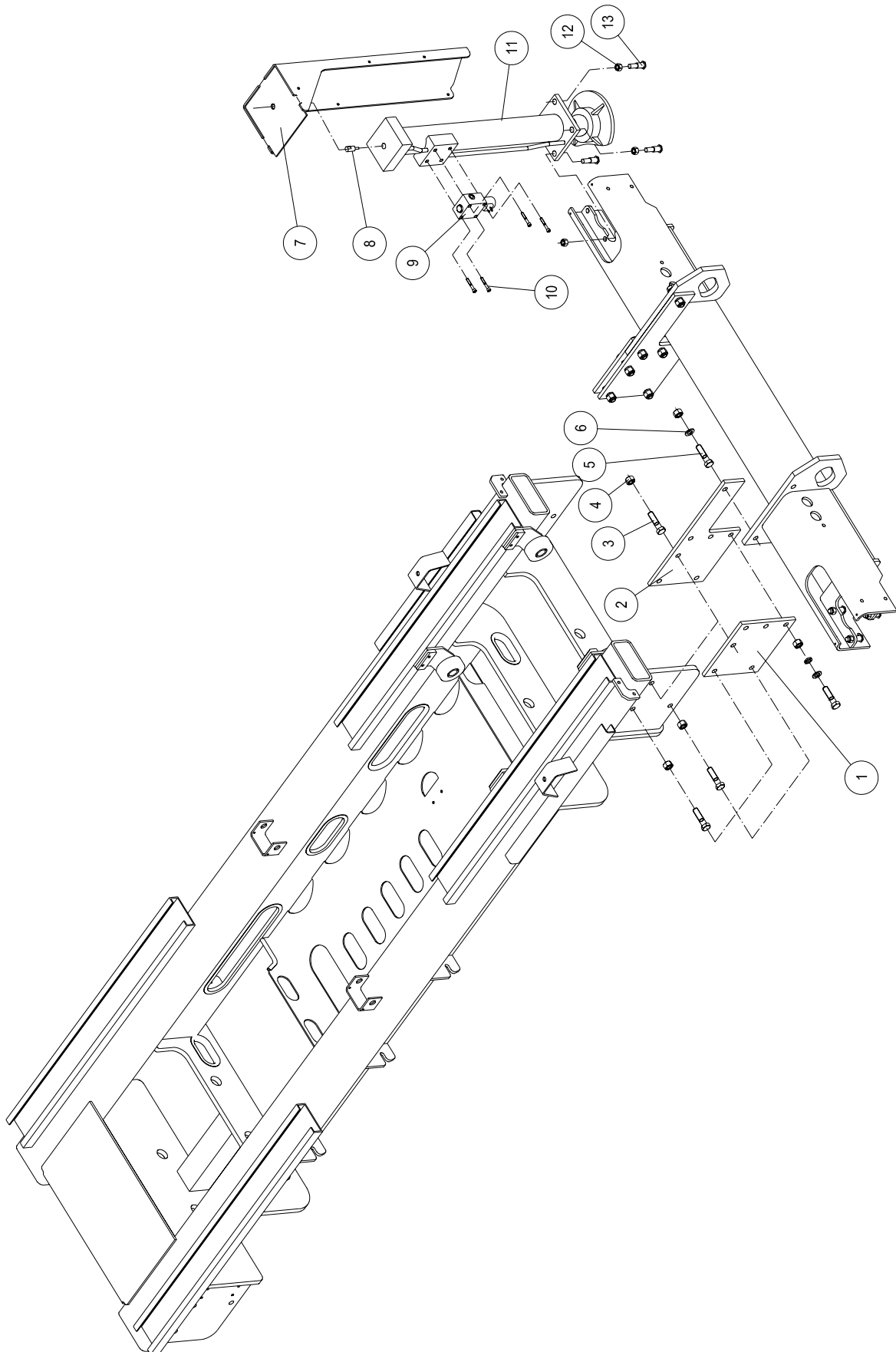
Platform Controls Installation



Platform Controls Installation

No.	Parts No.	Description	Qty.	Remark
1	JCPT1523RT-41900	Platform Controls	1	
2	GB/T5782-2000	Bolt M8×25	4	
3	GB/T5782-2000	Bolt M8×65	2	
4	JCPT1523RT-41010	Platform Controls Carrier	1	
5	GB/T97.1-2000	Flat Waher 8	6	
6	GB/T93.1-2000	Circlip 8	6	
7	GB/T6182-2000	Nylock Nut M8	6	

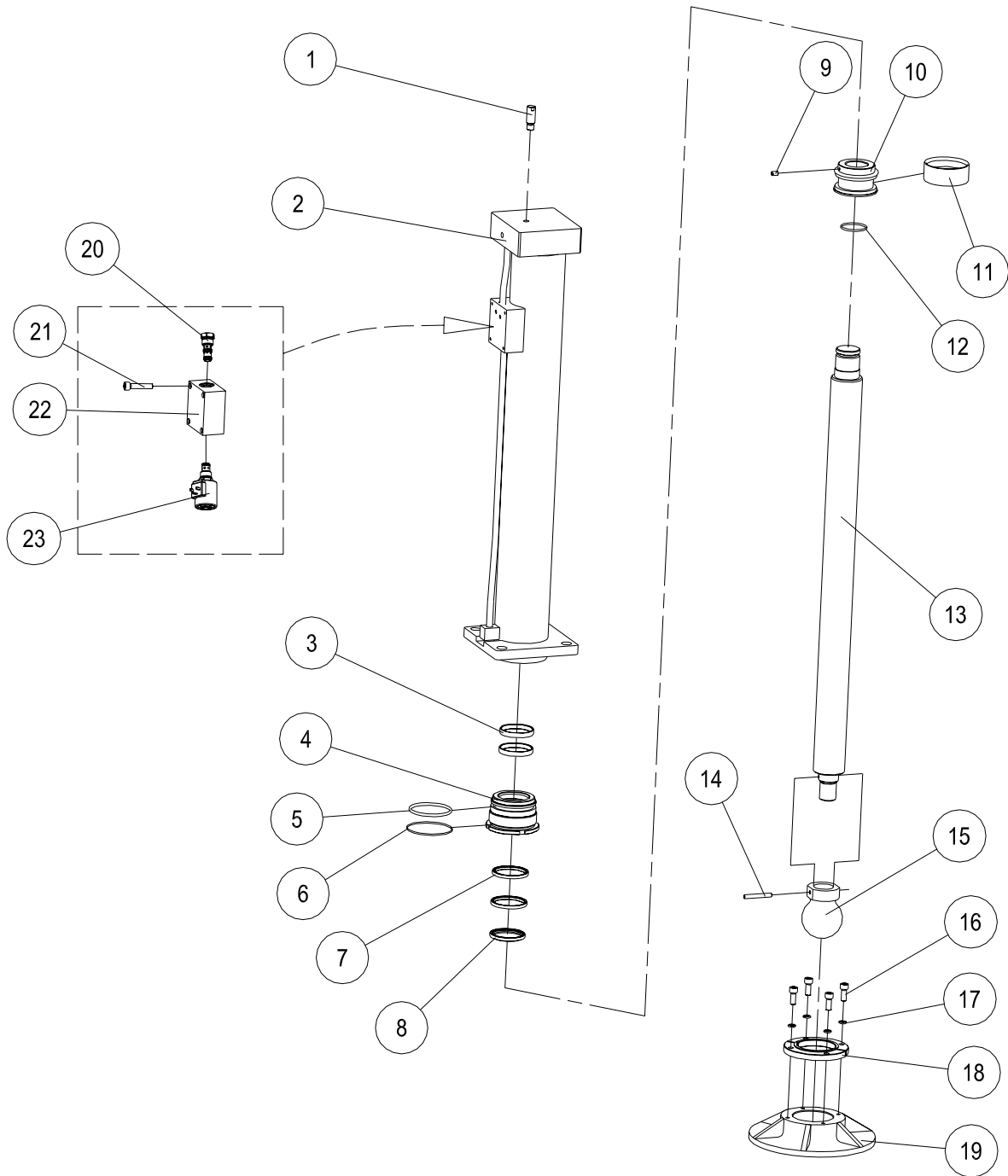
Outrigger Components Installation



Outrigger Components Installation

No.	Parts No.	Description	Qty.	Remark
1	JCPT1523RT-81060	Outrigger Mount, Outer	2	
2	JCPT1523RT-81050	Outrigger Mount, Inner	2	
3	GB/T5782-2000	Bolt M20×70	12	
4	GB/T6182-2000	Nylock Nut M20	14	
5	GB/T5782-2000	Bolt M20×60	2	
6	GB/T97.1-2000	Flat Washer 20	2	
7	JCPT1523RT-81200	Outrigger Housing Assembly	1	
8	JCPT1523RT-53031	Shoulder Pin	2	
9	DPH-05004F-080P-1	Function Manifold	2	
10	GB70.1	Screw M8×55	8	
11	JCPT1523RT-53400	Outrigger Cylinder	2	
12	GB/T6182-2000	Nylock Nut M16	8	
13	JCPT1523RT-81070	Shoulder Bolt M16	8	

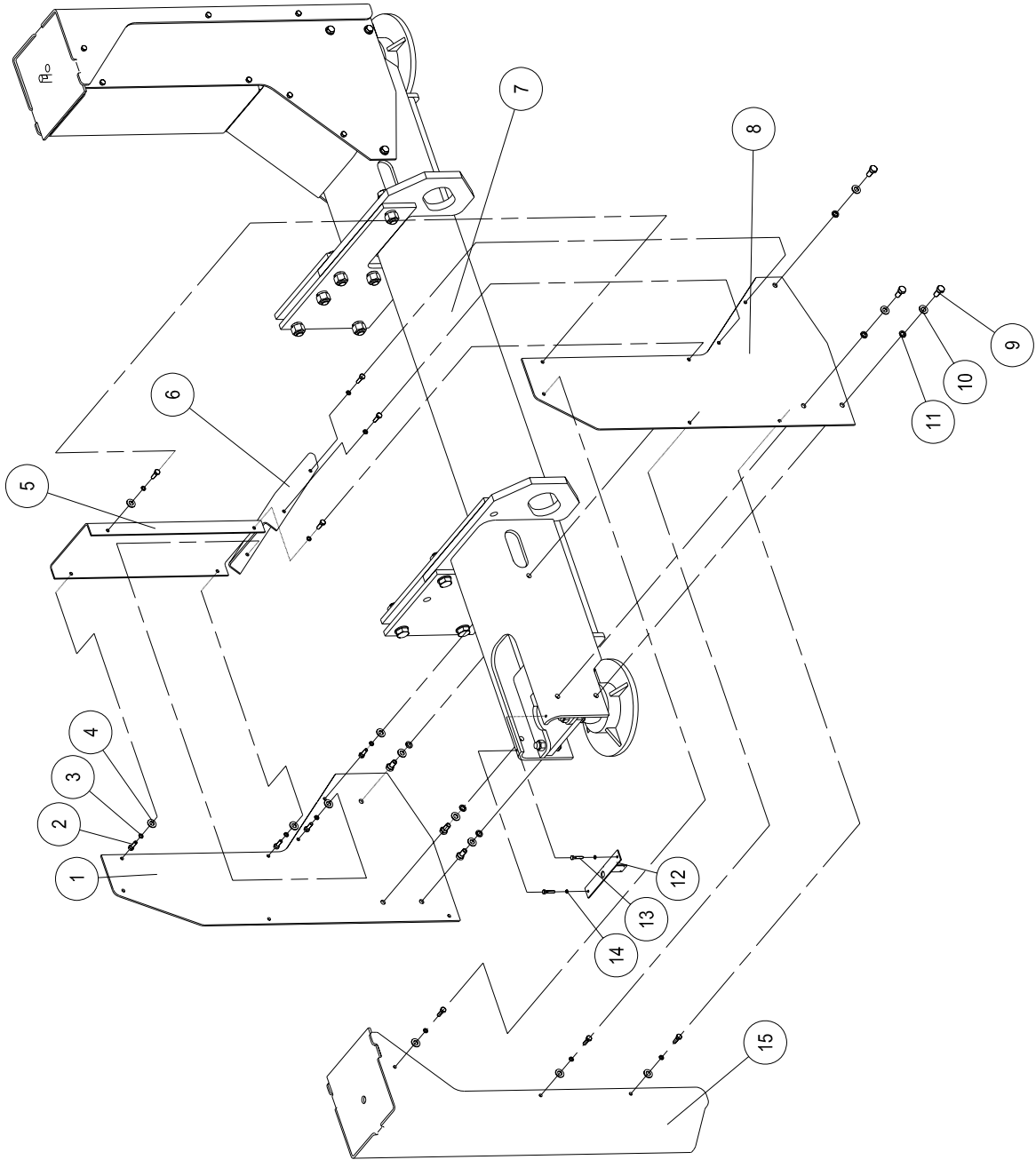
Level Jack Cylinder Assembly



Level Jack Cylinder Assembly

No.	Parts No.	Description	Qty.	Remark
1	JCPT1523RT-53406	Pivot	1	
2	JCPT1523RT-53420	Barrel Weldment	1	
3	d63×9.4×2.5	Ring, Back-Up	2	
4	JCPT1523RT-53404	Head	1	
5	P80	Seal, O-Ring 79.6×5.7	1	
6	G90	Seal, O-Ring 89.4×3.1	1	
7	ISI63	Seal	2	63×73×6
8	LBH63	Seal	1	63×71×5/6.5
9	GB79-85	Set Screw M8×10	1	
10	JCPT1523RT-53405	Piston	1	
11	DAS090-70	Seal Assembly	1	
12	P50	Seal, O-Ring 49.7×3.5	1	
13	JCPT1523RT-53410	Rod Weldment	1	
14	GB879-86	Pivot	1	φ 8×60
15	JCPT1523RT-53403	Ball Casting, Outrigger Foot Pad	1	
16	GB70-85	Screw M10×25	4	
17	GB93-85	Circlip 10	4	
18	JCPT1523RT-53402	Retainer	1	
19	JCPT1523RT-53401	Foot Pad Casting	1	
20	PC10-30-0-N-30	Check valve	1	
21	GB70-85	Screw M8×55	4	
22		Valve base	1	
23	SV10-28-0-N-12DG	Two solenoid valve	1	

Outrigger Components



Outrigger Components

No.	Parts No.	Description	Qty.	Remark
1	JCPT1523RT-81030	Outrigger Guard, Plate Rear	2	
2	GB/T5783-2000	Bolt M8×20	28	
3	GB/T93.1-2000	Circlip 8	28	
4	GB/T97. 1-2000	Flat Washer 8	28	
5	JCPT1523RT-81010	Outrigger Cylinder Cover, Inner, Long	2	
6	JCPT1523RT-81020	Outrigger Cylinder Cover ,Inner, Short	2	
7	JCPT1523RT-81300	Outrigger Assembly	1	
8	JCPT1523RT-81040	Outrigger Guard Plate, Front	2	
9	GB/T5783-2000	Bolt M12×25	12	
10	GB/T97. 1-2002	Flat Washer 12	12	
11	GB/T93. 1-2000	Circlip 12	12	
12	JCPT1523RT-81001	Outrigger Switch Bracket	2	
13	GB/T5783-2000	Bolt M6×16	4	
14	GB/T93.1-2000	Circlip 6	4	
15	JCPT1523RT-81100	Outrigger Housing Assembly Steer End and Von-Steer End	1	